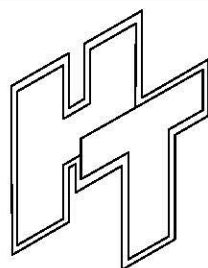
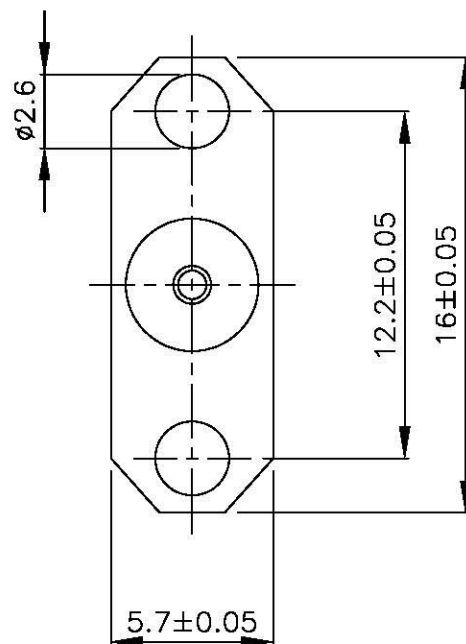
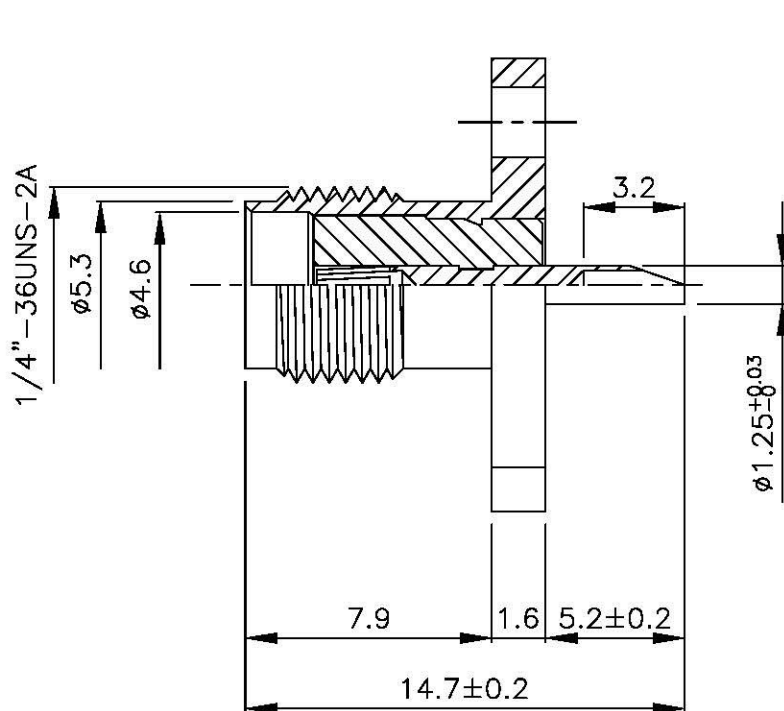
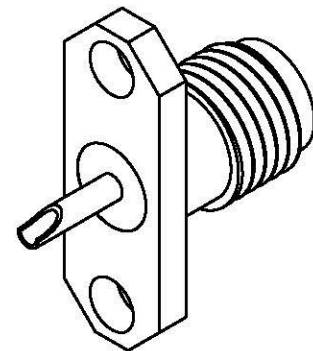


NO	DESCRIPTION	MATERIAL	Q'TY	FINISH	REMARK
1	BODY	BRASS	1	NICKEL	B-SMA0036-N
2	INSULATION	TEFLON	1	TEFLON	I-0106T
3	PIN	BE CU	1	GOLD	P-SMA0022-G



**All Connectors**

www.allconnectors.de  
Tel: 0049 711 400500  
70364 Hildersdorf, Germany

Info@allconnectors.de  
Fax: 0049 711 400504  
Kollmannstr. 25

TITLE **SMA FEMALE PC MOUNT**

PART NO. **SMA-08-TGN**

DRAWING NO. **SMA 08 TGN**

DRAWN **MARY** DATE **96.03.15**

CHECKED **蘇姿潔** DATE

Q.A. **馮健華** DATE

APPROVAL **徐燦霖** DATE

REVISION DATE

DIMENSIONS ARE IN MILLIMETERS

UNLESS OTHERWISE SPECIFIED TOLERANCE

0.5-5 =  $\pm 0.2$  120-315 =  $\pm 1$

5-30 =  $\pm 0.4$  315-1000 =  $\pm 1.6$

30-120 =  $\pm 0.6$  1000-2000 =  $\pm 2.4$

SCALE **4:1** SIZE **A**

REVISION

DESCRIPTION ENGINEER