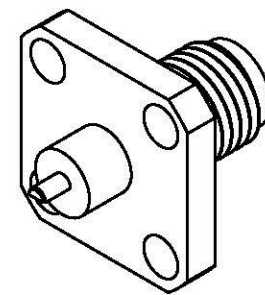
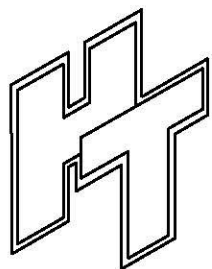
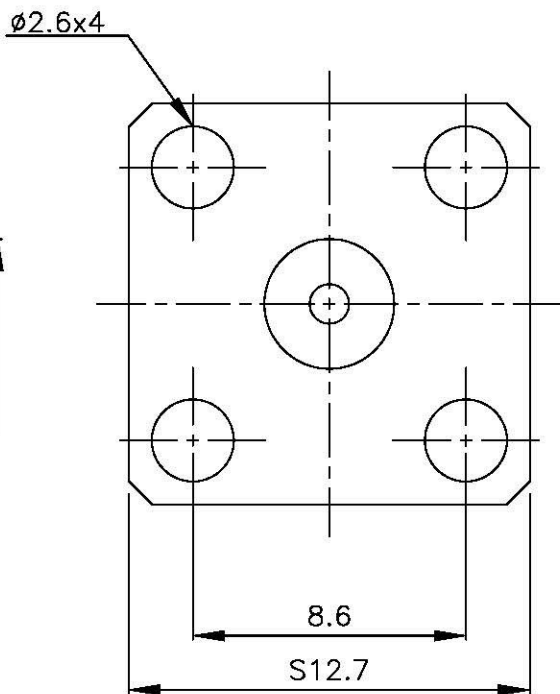
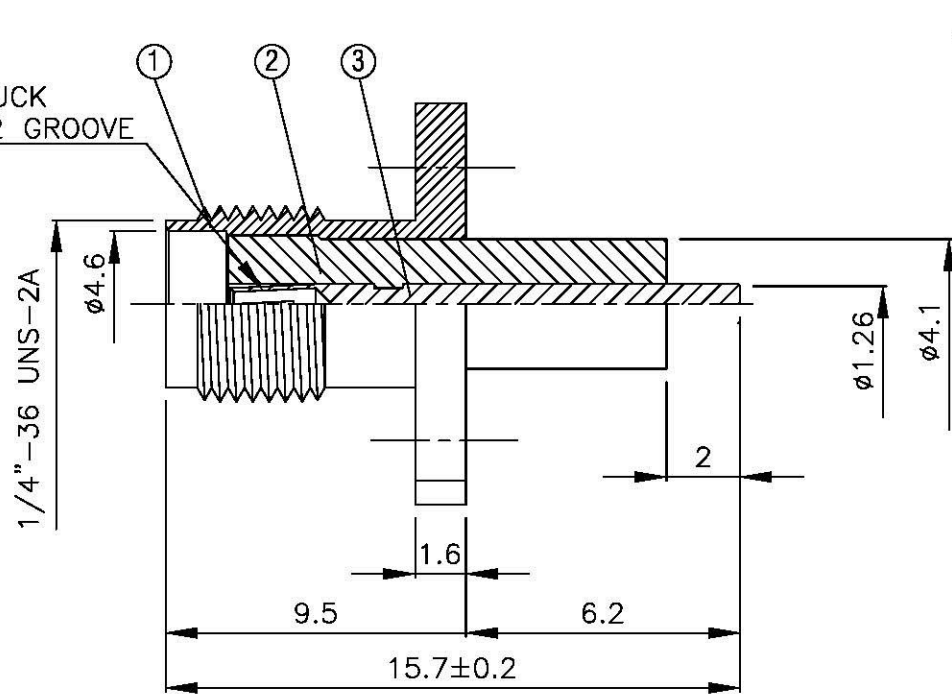


NO	DESCRIPTION	MATERIAL	Q'TY	FINISH
1	BODY	BRASS	1	NICKEL
2	INSULATION	TEFLON	1	TEFLON
3	PIN	BE CU	1	GOLD



PIN CHUCK
0.2X2X2 GROOVE



All Connectors
www.allconnectors.de
Tel.: 0049 721 7007501
70794 Pfilfersbach, Germany
Info@allconnectors.de
Fax: 0049 721 7007504
Kontakt@allconnectors.de

TITLE SMA FEMALE PANEL MOUNTED

PART NO. SMA-07V9-TGN

DRAWING NO. SMA 07V9 TGN

DRAWN MARY DATE 96.0316

CHECKED 蘇姿潔 DATE

Q.A. 張育誌 DATE

APPROVAL 馮健華 DATE

REVISION DATE

DIMENSIONS ARE IN MILLIMETERS

UNLESS OTHERWISE SPECIFIED TOLERANCE

0.5-5=±0.2	120-315=±1
5-30=±0.4	315-1000=±1.6
30-120±0.6	1000-2000=±2.4

SCALE 4:1 SIZE A

REVISION

DESCRIPTION	ENGINEER