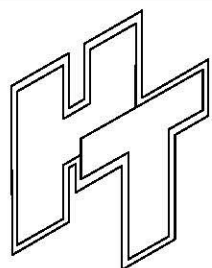
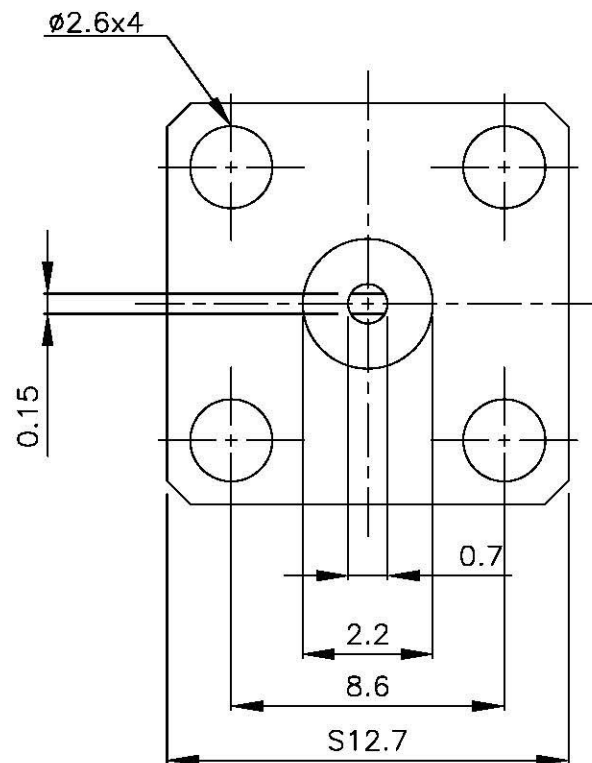
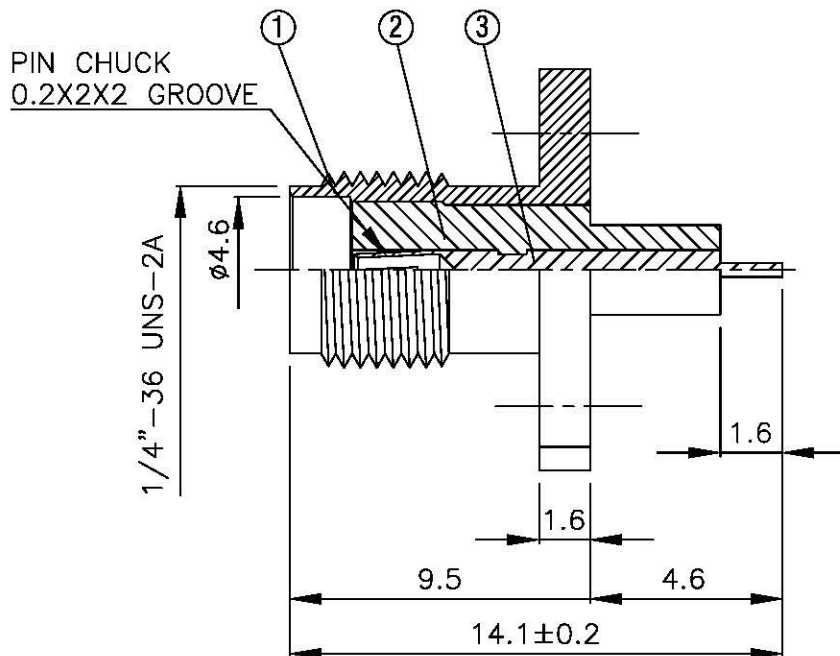
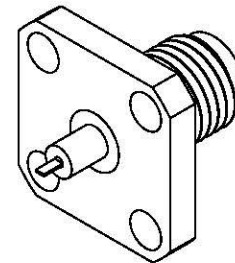


NO	DESCRIPTION	MATERIAL	Q'TY	FINISH	REMARK
1	BODY	BRASS	1	NICKEL	B-SMA0037-N
2	INSULATION	TEFLON	1	TEFLON	I-0106T
3	PIN	BE CU	1	GOLD	P-SMA0033-G



**All Connectors**  
 www.allconnectors.com  
 Tel: 0049 711 7009503  
 70794 Filzschrot Germany

TITLE **SMA FEMALE PANEL MOUNTED**

PART NO. **SMA-07V6-TGN**

DRAWING NO. **SMA 07V6 TGN**

DRAWN **MARY** DATE **96.03.15**

CHECKED **黄巧君** DATE

Q.A. **蘇姿潔** DATE

APPROVAL **徐燦霖** DATE

REVISION DATE

DIMENSIONS ARE IN MILLIMETERS

UNLESS OTHERWISE SPECIFIED TOLERANCE  
 0.5-5=±0.2 120-315=±1  
 5-30=±0.4 315-1000=±1.6  
 30-120±0.6 1000-2000=±2.4

SCALE **4:1** SIZE **A**

REVISION

DESCRIPTION ENGINEER