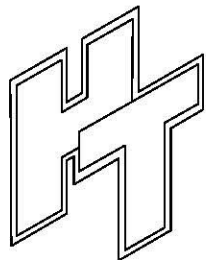
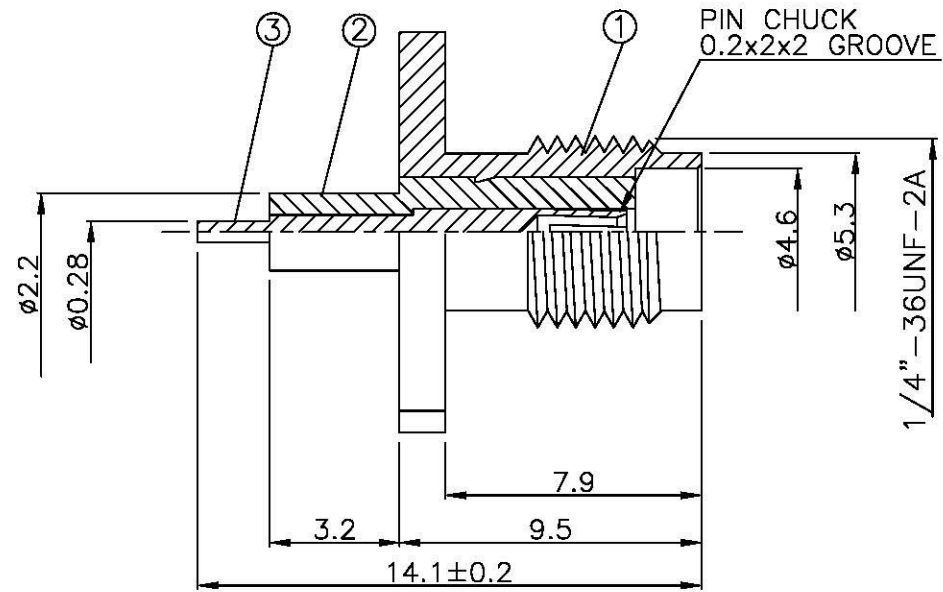
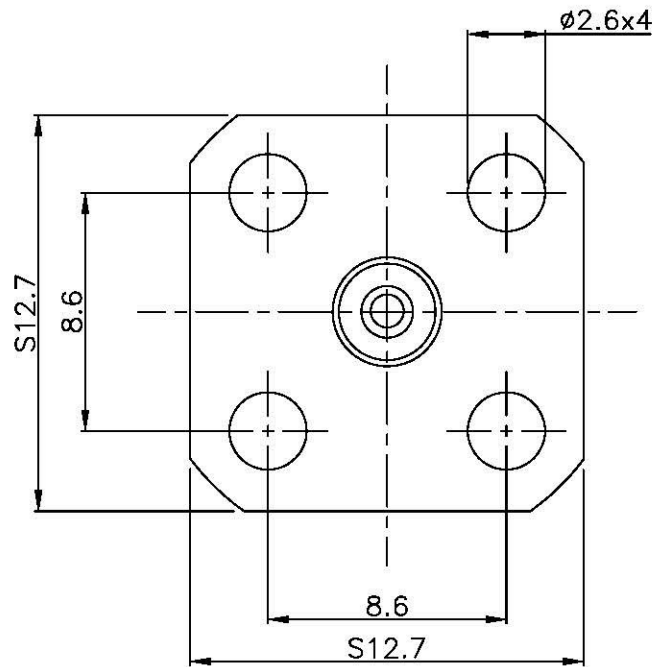
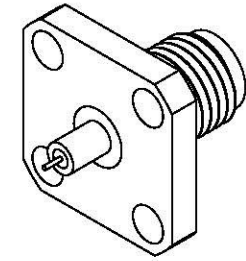


NO	DESCRIPTION	MATERIAL	Q'TY	FINISH	REMARK
1	BODY	BRASS	1	GOLD	B-SMA0037-G
2	INSULATION	TEFLON	1	TEFLON	I-0592T
3	PIN	BE CU	1	GOLD	P-SMA0880-G



Allconnectors
 www.allconnectors.de
 Tel.: 0049 711 7002501
 70754 Pflüsterst. - Germany
 info@allconnectors.de
 Fax: 0049 711 7002504
 Kettelerstr. 28

TITLE SMA FEMALE PC MOUNT
 ROUND CONTACT

PART NO. SMA-07V5-TGG

DRAWING NO. SMA 07V5 TGG

DRAWN MARY DATE 96.10.01

CHECKED 黄巧君 DATE

Q.A. 蘇姿潔 DATE

APPROVAL 徐燦霖 DATE

REVISION DATE

DIMENSIONS ARE IN MILLIMETER

UNLESS OTHERWISE SPECIFIED
 TOLERANCES

0.5-5=±0.2 120-315=±1
 5-30=±0.4 315-1000=±1.6
 30-120=±0.6 1000-2000=±2.4

SCALE 5:1 SIZE A

REVISION

DESCRIPTION ENGINEER