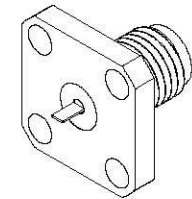


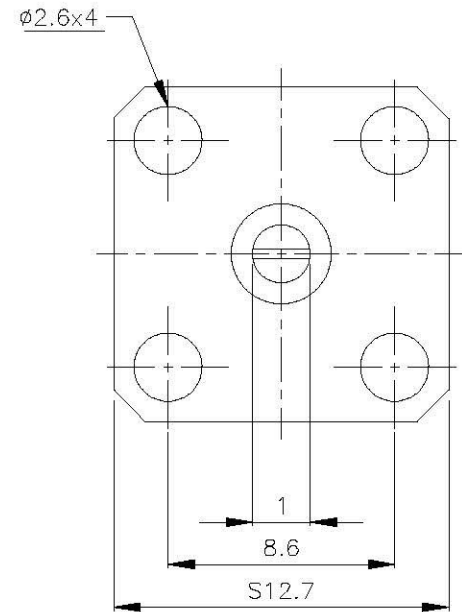
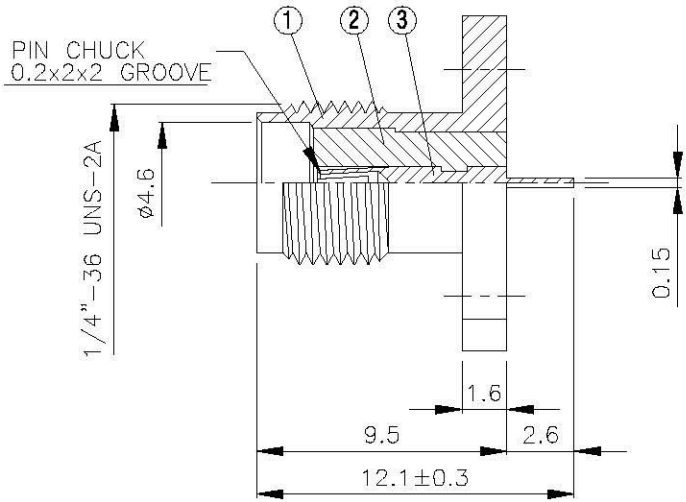
NO	DESCRIPTION	MATERIAL	Q'TY	FINISH	REMARK
1	BODY	BRASS	1	NICKEL	B-SMA0037-N
2	INSULATION	TEFLON	1	TEFLON	I-0106T
3	PIN	BE CU	1	GOLD	P-SMA0029-G



D

C

B



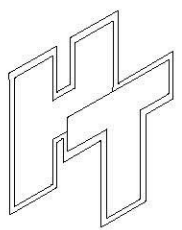
D

C

B

A

A



**All Connectors**  
 www.allconnectors.com  
 TEL: 0919 711 700503  
 50754 Fildesrieden, Germany

Info: info@allconnectors.com  
 Fax: 0915 711 700504  
 Kellernstr. 25

TITLE **SMA FEMALE PANEL MOUNTED**

PART NO. **SMA-07V4-TGN**

DRAWING NO. **SMA 07V4 TGN**

DRAWN **MARY** DATE **96.03.16**

CHECKED **蘇姿潔** DATE

Q.A. **馮健華** DATE

APPROVAL **徐燦霖** DATE

REVISION DATE

DATE **96.03.16**

DATE

DATE

DATE

DATE

DIMENSIONS ARE IN MILLIMETERS

UNLESS OTHERWISE SPECIFIED TOLERANCE

0.5-5=±0.2	120-315=±1
5-30=±0.4	315-1000=±1.6
30-120=±0.6	1000-2000=±2.4

SCALE **4:1** SIZE **A**

REVISION	
DESCRIPTION	ENGINEER

4

3

2

1