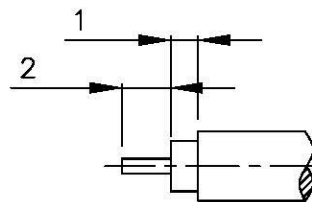
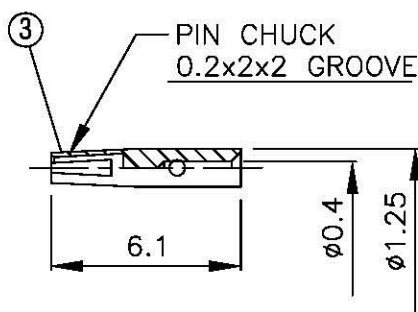
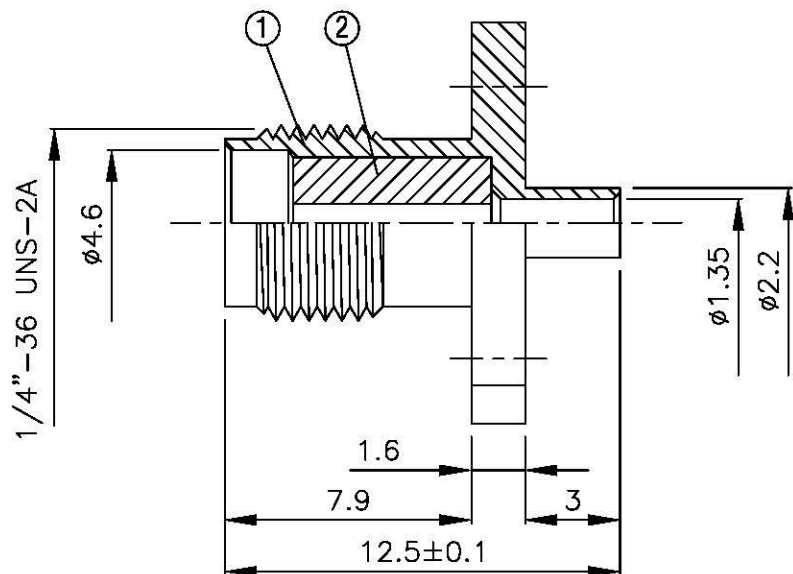
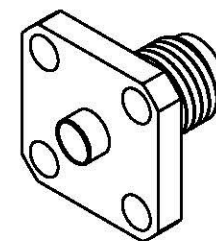


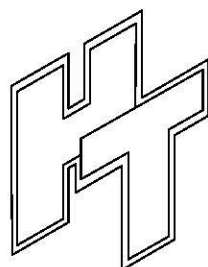
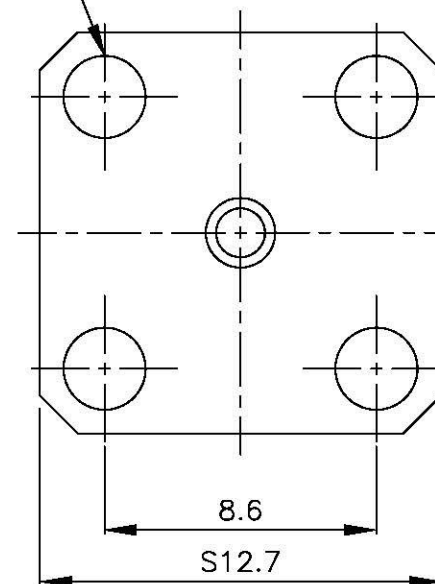
NO	DESCRIPTION	MATERIAL	Q'TY	FINISH	REMARK
1	BODY	BRASS	1	GOLD	B-SMA0077-G
2	INSULATION	TEFLON	1	TEFLON	I-0115T
3	PIN	BE CU	1	GOLD	P-SMA0761-G



(Recommended Stripping Dimension)



$\phi 2.6 \times 4$



All Connectors
 www.allconnectors.com
 Tel.: 0049 711 7009503
 70795/ Filderstadt - Germany

In China: allconnectors.com.cn
 Tel.: 0086 711 7009504
 Kettnerstr. 25

TITLE SMA FEMALE PANEL SOLDER FOR M17/151 (.047)

PART NO. SMA-07V3-TGG

DRAWING NO. SMA-07V3-TGG

DRAWN MARY DATE 96.03.16

CHECKED 蘇姿潔 DATE

Q.A. 馮健華 DATE

APPROVAL 徐燦霖 DATE

REVISION DATE

DIMENSIONS ARE IN MILLIMETERS

UNLESS OTHERWISE SPECIFIED TOLERANCE
 0.5-5=±0.2 120-315=±1
 5-30=±0.4 315-1000=±1.6
 30-120±0.6 1000-2000=±2.4

SCALE 4:1 SIZE A

REVISION

DESCRIPTION ENGINEER