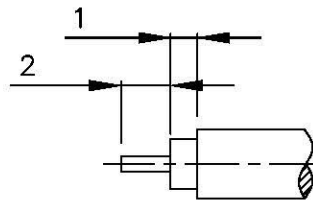
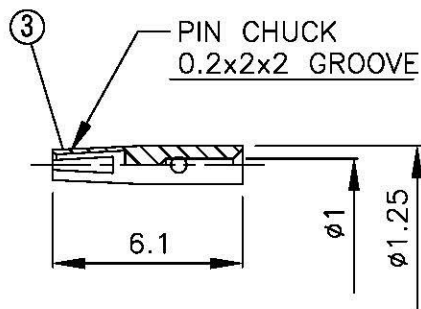
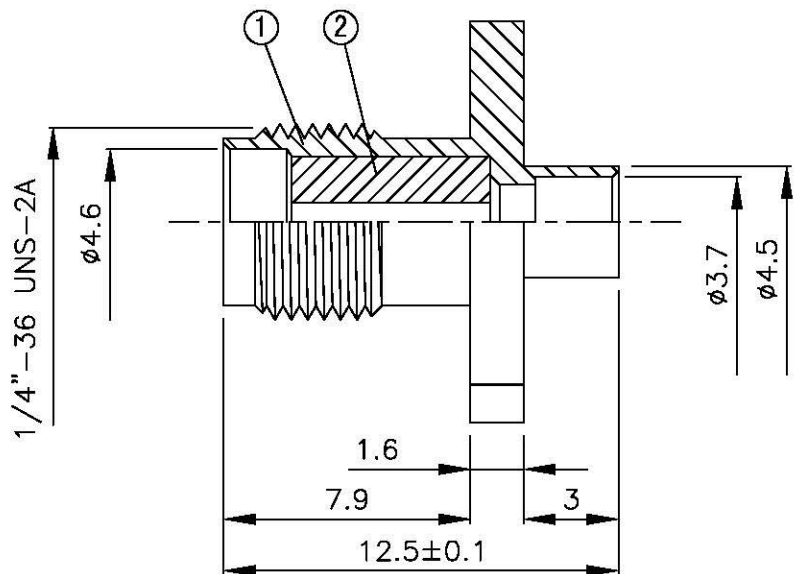
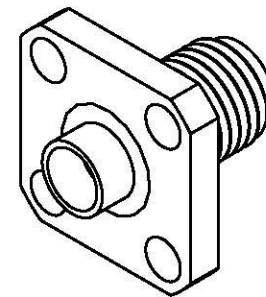


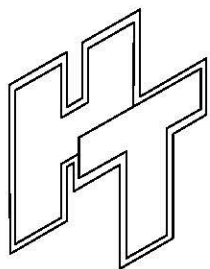
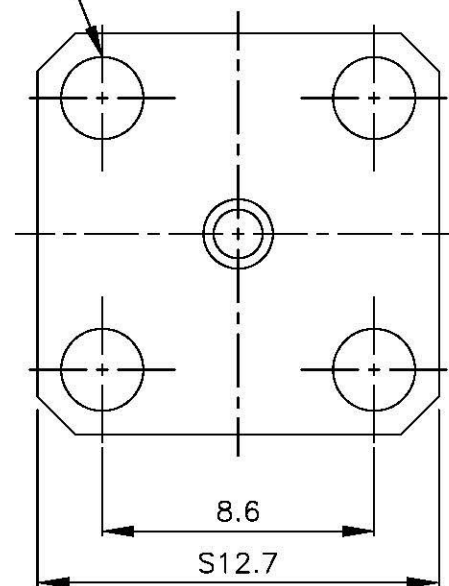
NO	DESCRIPTION	MATERIAL	Q'TY	FINISH	REMARK
1	BODY	BRASS	1	GOLD	B-SMA0072-G
2	INSULATION	TEFLON	1	TEFLON	I-0115T
3	PIN	BE CU	1	GOLD	P-SMA0038-G



(Recommended Stripping Dimension)



Ø2.6X4



All Connectors
 www.allconnectors.de
 info@allconnectors.de
 info@allconnectors.de
 info@allconnectors.de

TITLE SMA FEMALE PANEL SOLDER FOR RG402 (.141)

PART NO. SMA-07V2-TGG

DRAWING NO. SMA 07V2 TGG

DRAWN MARY DATE 96.03.16

CHECKED 黄巧君 DATE 96.03.16

Q.A. 蘇姿潔 DATE

APPROVAL 徐燦霖 DATE

REVISION DATE

DIMENSIONS ARE IN MILLIMETERS

UNLESS OTHERWISE SPECIFIED TOLERANCE

0.5-5=±0.2 120-315=±1

5-30=±0.4 315-1000=±1.6

30-120±0.6 1000-2000=±2.4

SCALE 4:1 SIZE A

REVISION

DESCRIPTION ENGINEER