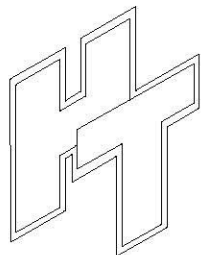
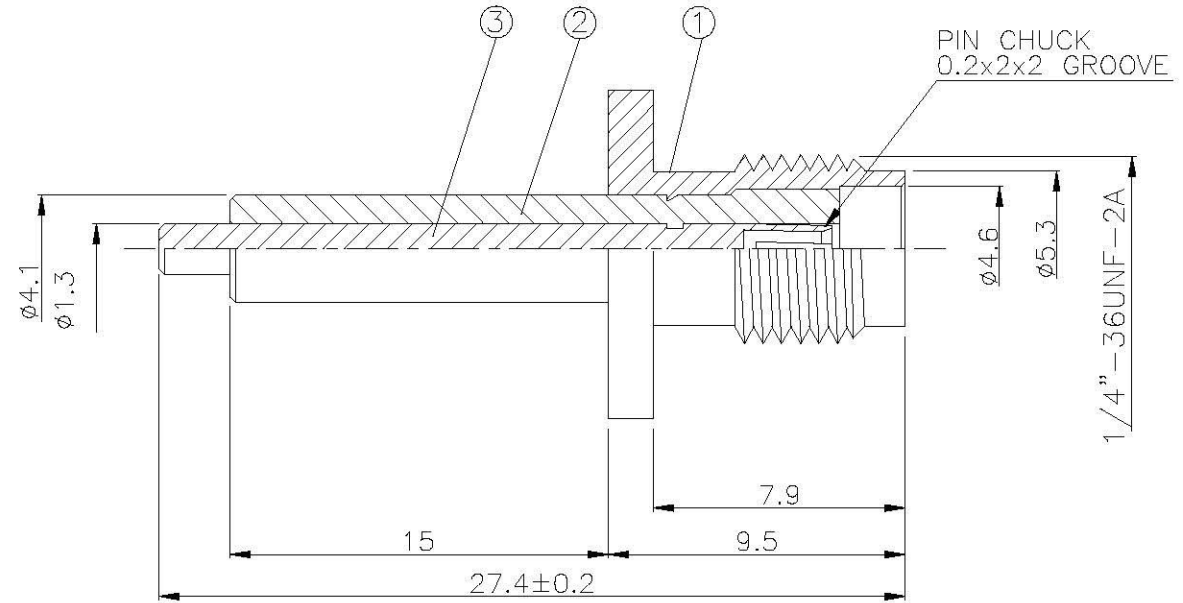
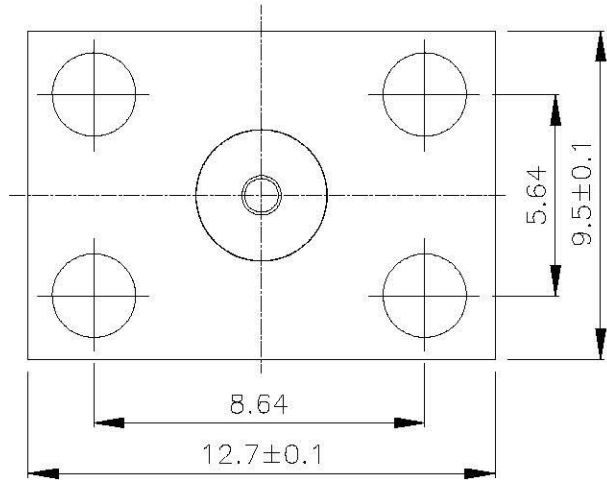
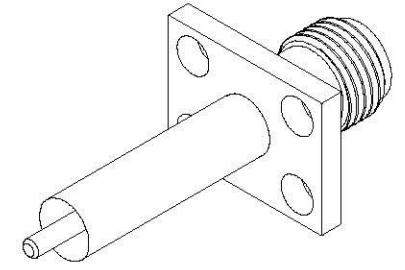


| NO | DESCRIPTION | MATERIAL | Q'TY | FINISH    | REMARK        |
|----|-------------|----------|------|-----------|---------------|
| 1  | BODY        | SUS303   | 1    | PASSVATED | B-SMA1106-SUS |
| 2  | INSULATION  | TEFLON   | 1    | TEFLON    | I-0109T       |
| 3  | PIN         | BE CU    | 1    | GOLD      | P-SMA0028-G   |



**All Connectors**

www.allconnectors.de info@allconnectors.de  
Tel.: 0049 711 7009503 Fax: 0049 711 7009504  
70291 Filzbergstr. 25

TITLE  
**SMA FEMALE PANEL RECEPTACLE**

PART NO.  
**SMA-07V17-TGSUS-3**

DRAWING NO. **SMA 07V17 TGSUS-3**

DRAWN **蘇姿潔** DATE 99.04.21

CHECKED **蘇志欣** DATE

Q.A. **莊千慧** DATE

APPROVAL **徐燦霖** DATE

REVISION DATE

DIMENSIONS ARE IN MILLIMETER

UNLESS OTHERWISE SPECIFIED  
TOLERANCES

0.5-5=±0.2 120-315=±1

5-30=±0.4 315-1000=±1.6

30-120=±0.6 1000-2000=±2.4

SCALE 5:1 SIZE A

REVISION

DESCRIPTION ENGINEER