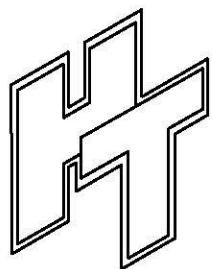
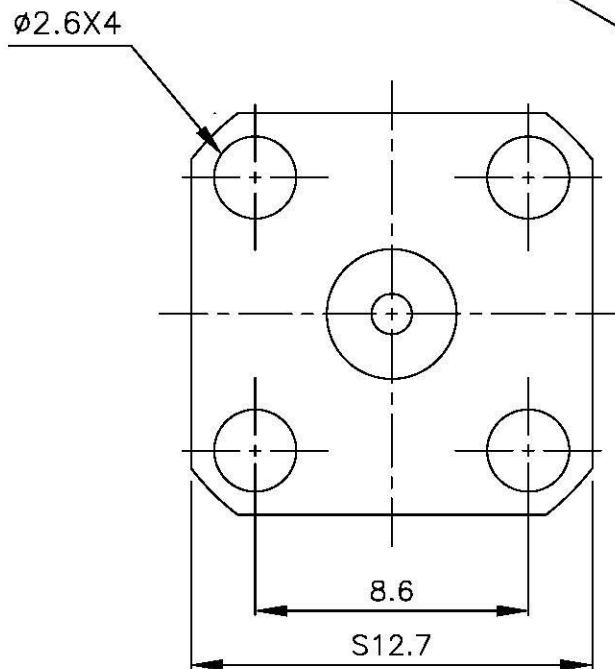
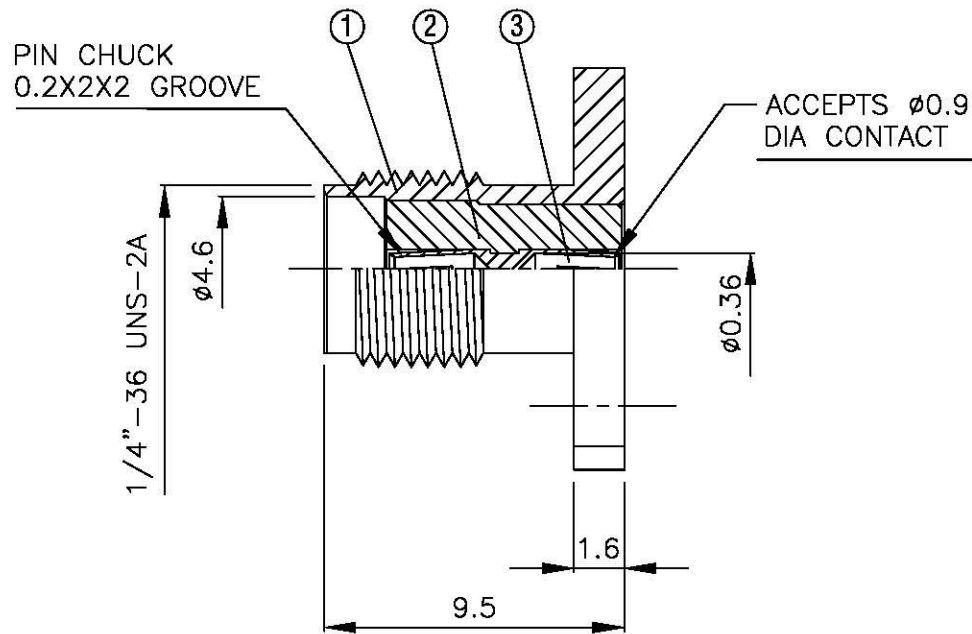
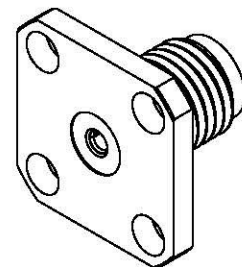


NO	DESCRIPTION	MATERIAL	Q'TY	FINISH	REMARK
1	BODY	BRASS	1	NICKEL	B-SMA0037-N
2	INSULATION	TEFLON	1	TEFLON	I-0114T
3	PIN	BE CU	1	GOLD	P-SMA0036-G



All Connectors
 www.allconnectors.de
 Tel: 0049 733 7902502
 70756 Erlenbach - Germany

TITLE SMA FEMALE LAUNCHERS WITH TRANSITION PINS

PART NO. SMA-07V11-TGN

DRAWING NO. SMA 07V11 TGN

DRAWN MARY DATE 96.03.16

CHECKED 黄巧君 DATE 96.03.16

Q.A. 蘇姿潔 DATE

APPROVAL 徐燦霖 DATE

REVISION DATE

DIMENSIONS ARE IN MILLIMETERS

UNLESS OTHERWISE SPECIFIED TOLERANCE

0.5-5=±0.2 120-315=±1
 5-30=±0.4 315-1000=±1.6
 30-120±0.6 1000-2000=±2.4

SCALE 4:1 SIZE A

REVISION

DESCRIPTION ENGINEER