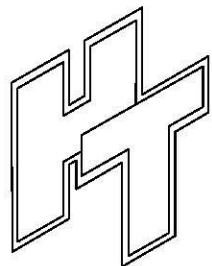
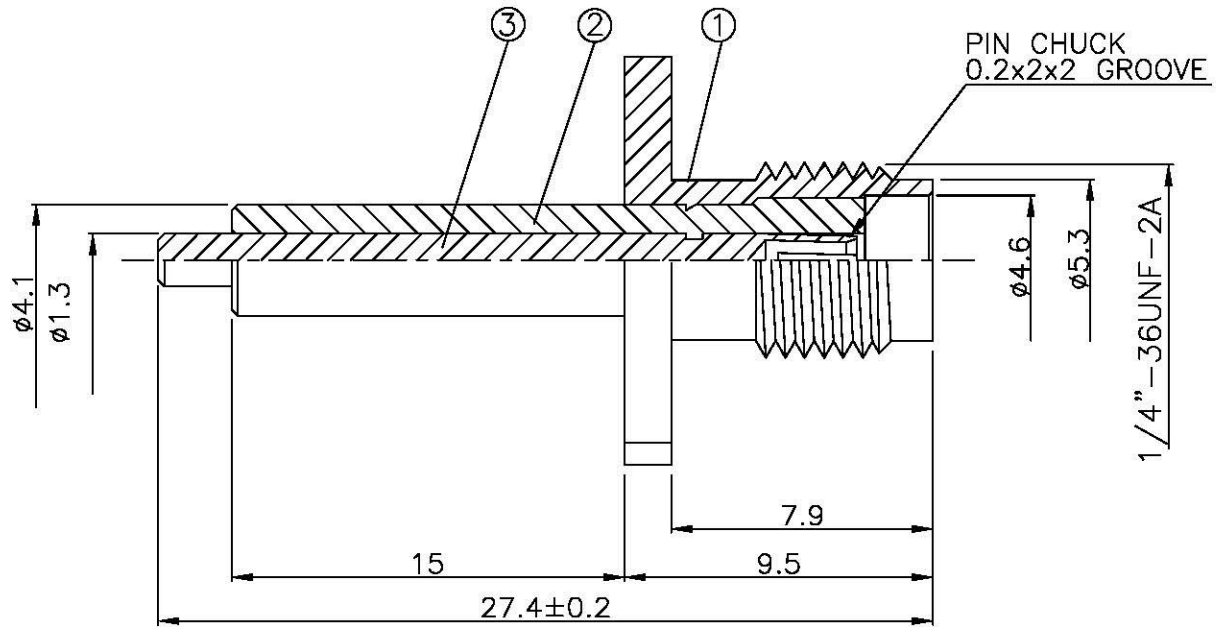
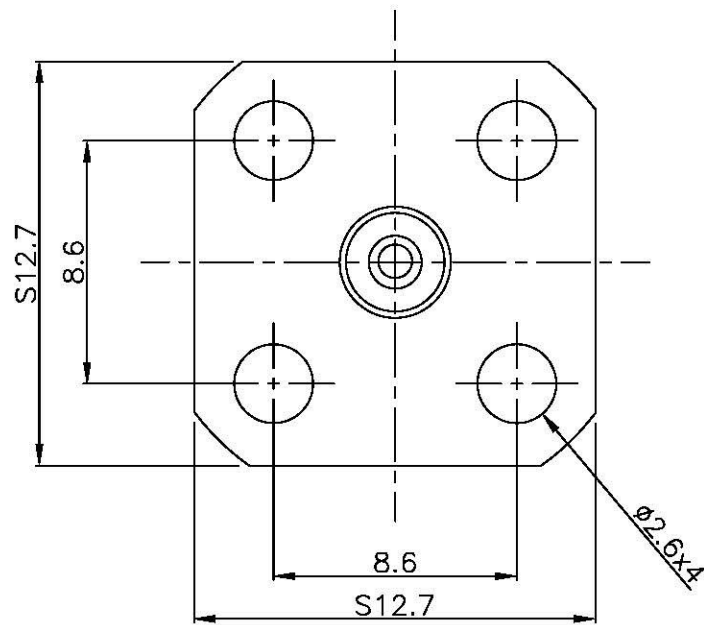
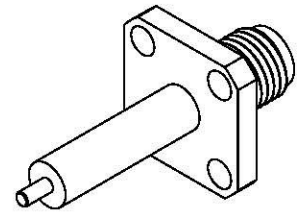


NO	DESCRIPTION	MATERIAL	Q'TY	FINISH	REMARK
1	BODY	BRASS	1	GOLD	B-SMA0037-G
2	INSULATION	TEFLON	1	TEFLON	I-0109T
3	PIN	BE CU	1	GOLD	P-SMA0028-G



All Connectors

www.allconnectors.de
 Tel.: 0049 711 7004200
 70791 Filderstadt - Germany

info@allconnectors.de
 Fax: 0049 711 7004201
 Kettnerstr. 25

TITLE
SMA FEMALE PANEL RECEPTACLE

PART NO.
SMA-07V10-TGG

DRAWING NO. **SMA 07V10 TGG**

DRAWN MARY DATE 90.05.11

CHECKED **蘇姿潔** DATE

Q.A. **馮健華** DATE

APPROVAL **徐燦霖** DATE

REVISION DATE

DIMENSIONS ARE IN MILLIMETER

UNLESS OTHERWISE SPECIFIED
 TOLERANCES

0.5-5 = ±0.2 120-315 = ±1

5-30 = ±0.4 315-1000 = ±1.6

30-120 = ±0.6 1000-2000 = ±2.4

SCALE 5:1 SIZE A

REVISION

DESCRIPTION ENGINEER