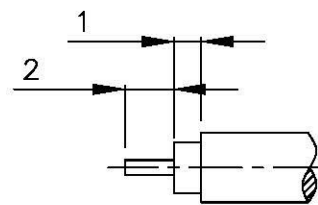
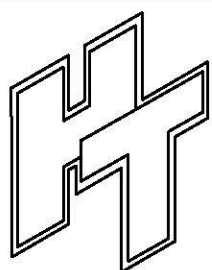
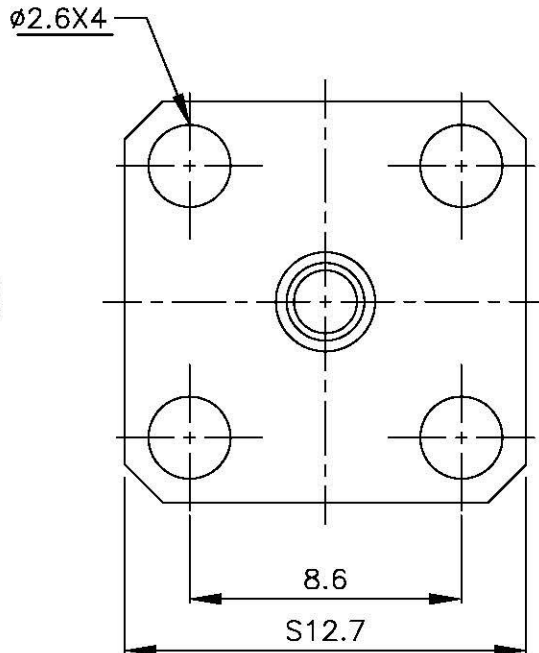
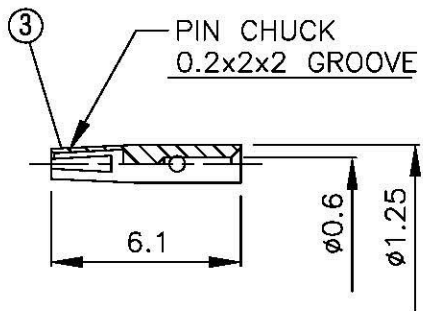
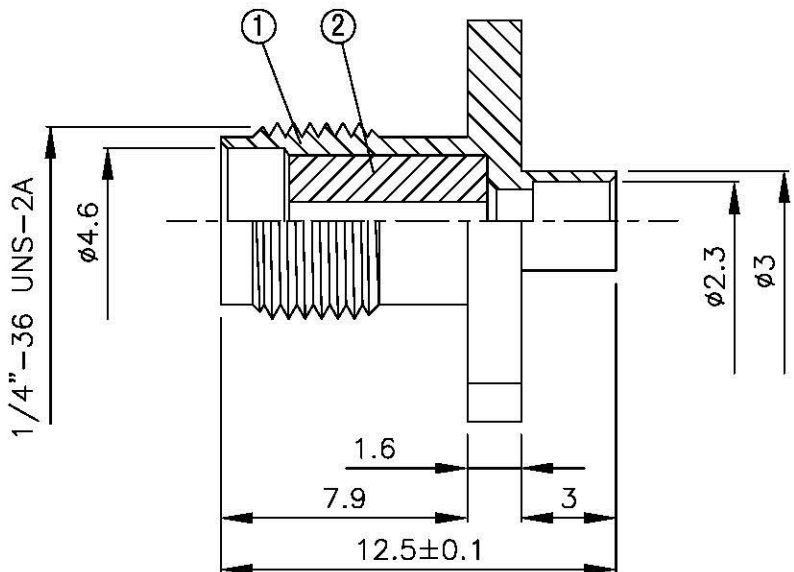
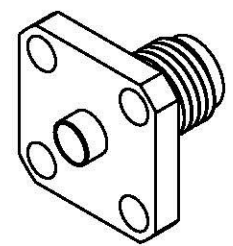


NO	DESCRIPTION	MATERIAL	Q'TY	FINISH	REMARK
1	BODY	BRASS	1	GOLD	B-SMA0071-G
2	INSULATION	TEFLON	1	TEFLON	I-0115T
3	PIN	BE CU	1	GOLD	P-SMA0049-G



(Recommended Stripping Dimension)



**All Connectors**  
www.allconnectors.de    info@allconnectors.de  
 Tel: +49 919 711 709501    Fax: +49 919 711 3709501  
 70726 Filderstadt - Germany    Kellereckstr. 28

TITLE **SMA FEMALE PANEL SOLDER FOR RG405 (.085)**  
 PART NO. **SMA-07V1-TGG**  
 DRAWING NO. **SMA 07V1 TGG**

DRAWN	MARY	DATE	96.03.16
CHECKED	蘇姿潔	DATE	
Q.A.	馮健華	DATE	
APPROVAL	徐燦霖	DATE	
REVISION		DATE	

DIMENSIONS ARE IN MILLIMETERS  
 UNLESS OTHERWISE SPECIFIED TOLERANCE  
 0.5-5=±0.2    120-315=±1  
 5-30= ±0.4    315-1000=±1.6  
 30-120±0.6    1000-2000=±2.4  
 SCALE 4:1    SIZE A

REVISION	
DESCRIPTION	ENGINEER