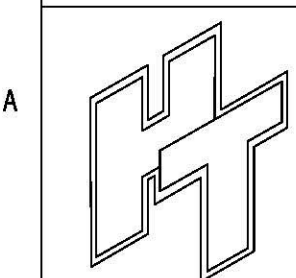
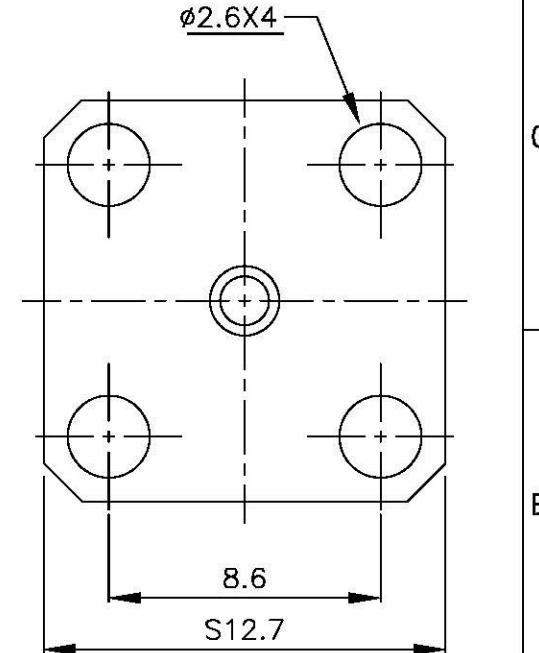
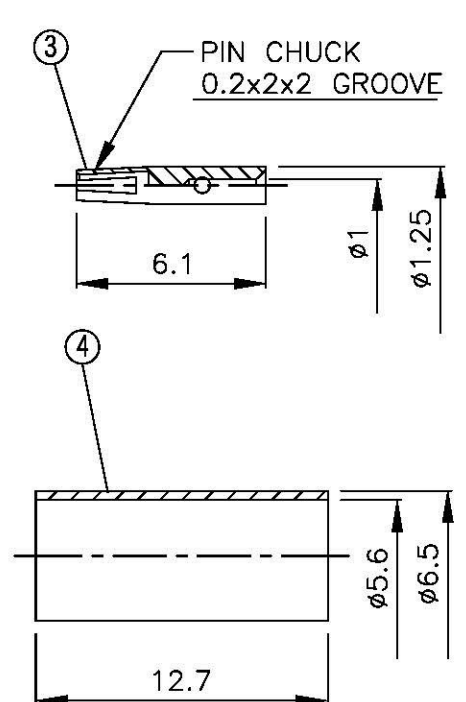
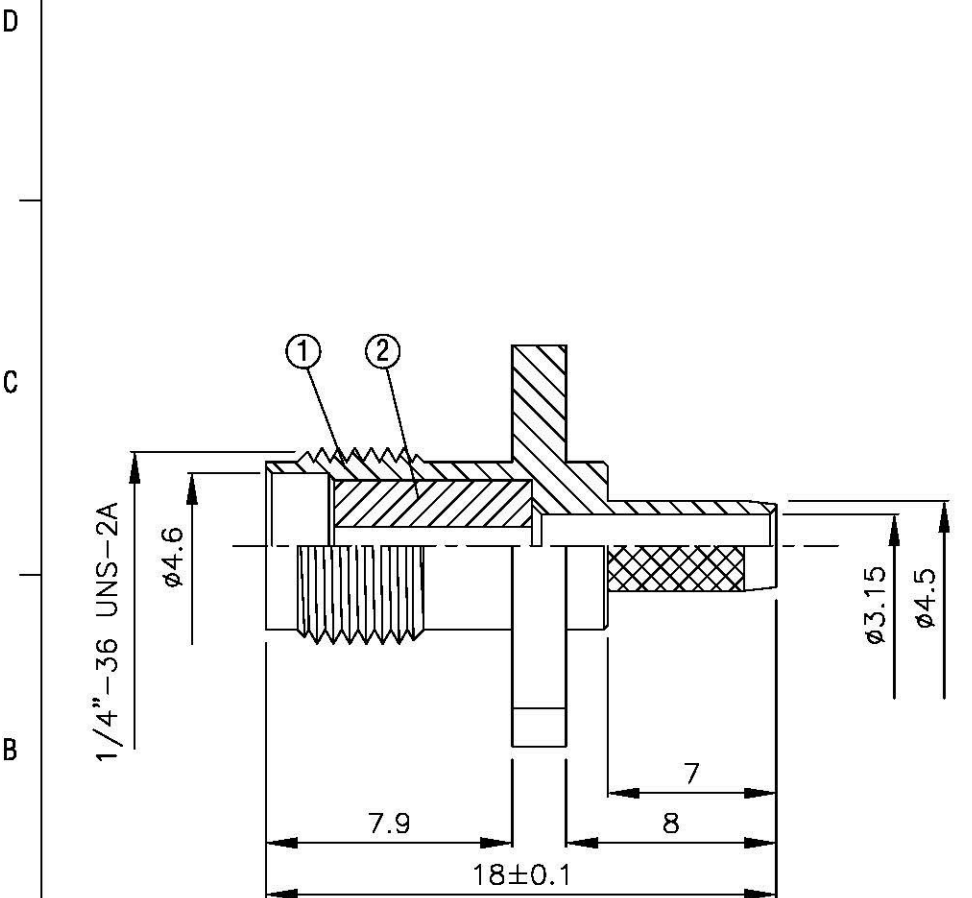
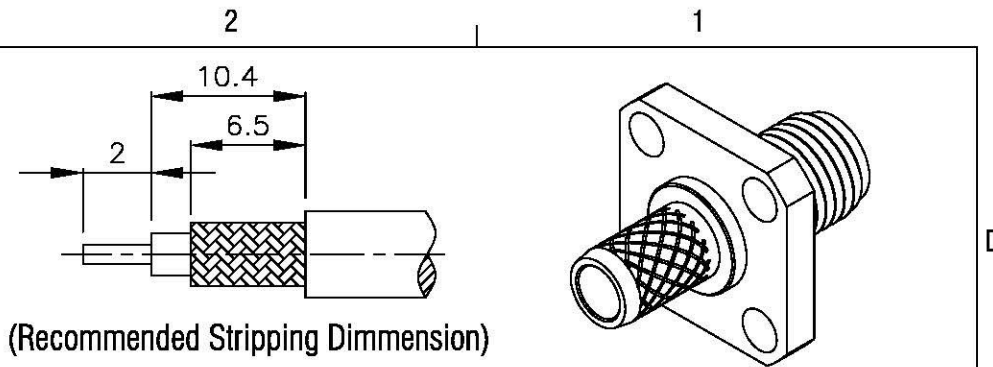


NO	DESCRIPTION	MATERIAL	Q'TY	FINISH	REMAEK
1	BODY	BRASS	1	NICKEL	B-SMA0068-N
2	INSULATION	TEFLON	1	TEFLON	I-0547T
3	PIN	BE CU	1	GOLD	P-SMA038-G
4	RING	BRASS	1	GOLD	R-0007-G



**All Connectors**  
 www.allconnectors.de  
 info@allconnectors.de  
 Tel: 0049 711 2019504  
 20248 Hildesheim - Germany  
 Fax: 0049 711 2019504  
 kontakt@allconnectors.de

TITLE SMA FEMALE PANEL CRIMP FOR RG-58/U

PART NO. SMA-07F-TGN

DRAWING NO. SMA 07F TGN

DRAWN MARY DATE 96.03.15

CHECKED 黃巧君 DATE

Q.A. 蘇姿潔 DATE

APPROVAL 徐燦霖 DATE

REVISION DATE

DIMENSIONS ARE IN MILLIMETERS

UNLESS OTHERWISE SPECIFIED TOLERANCE

0.5-5=±0.2	120-315=±1
5-30=±0.4	315-1000=±1.6
30-120±0.6	1000-2000=±2.4

SCALE 4:1 SIZE A

REVISION

DESCRIPTION	ENGINEER