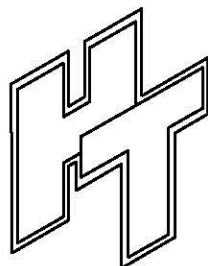
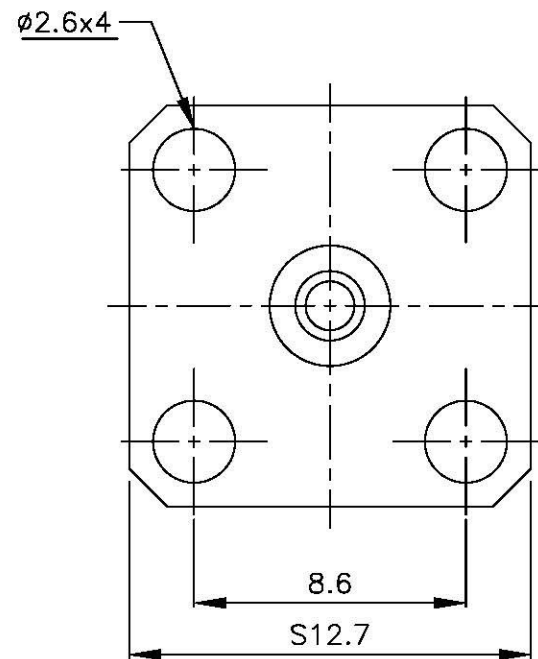
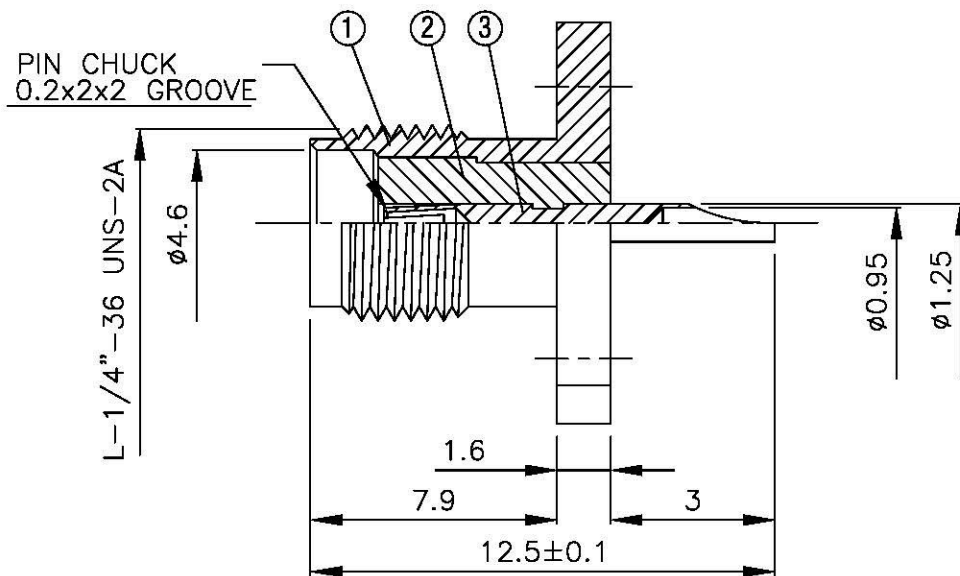
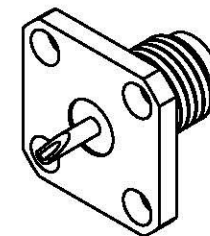


NO	DESCRIPTION	MATERIAL	Q'TY	FINISH	REMARK
1	BODY	BRASS	1	GOLD	B-SMA0037-G
2	INSULATION	TEFLON	1	TEFLON	I-0106T
3	PIN	BE CU	1	GOLD	P-SMA0022-G



All Connectors
 www.allconnectors.de info@allconnectors.de
 Tel: +0049 711 7009503 Fax: +0049 711 7009501
 70/54 Hildersstr. Germany Kettelerstr. 25

TITLE SMA FEMALE PANEL MOUNTED

PART NO. SMA-07-TGG

DRAWING NO. SMA 07 TGG

DRAWN MARY DATE 90.01.22

CHECKED 蘇姿潔 DATE

Q.A. 馮健華 DATE

APPROVAL 徐燦霖 DATE

REVISION DATE

DIMENSIONS ARE IN MILLIMETERS

UNLESS OTHERWISE SPECIFIED TOLERANCE

0.5-5=±0.2	120-315=±1
5-30=±0.4	315-1000=±1.6
30-120±0.6	1000-2000=±2.4

SCALE 4:1 SIZE A

REVISION

DESCRIPTION	ENGINEER