

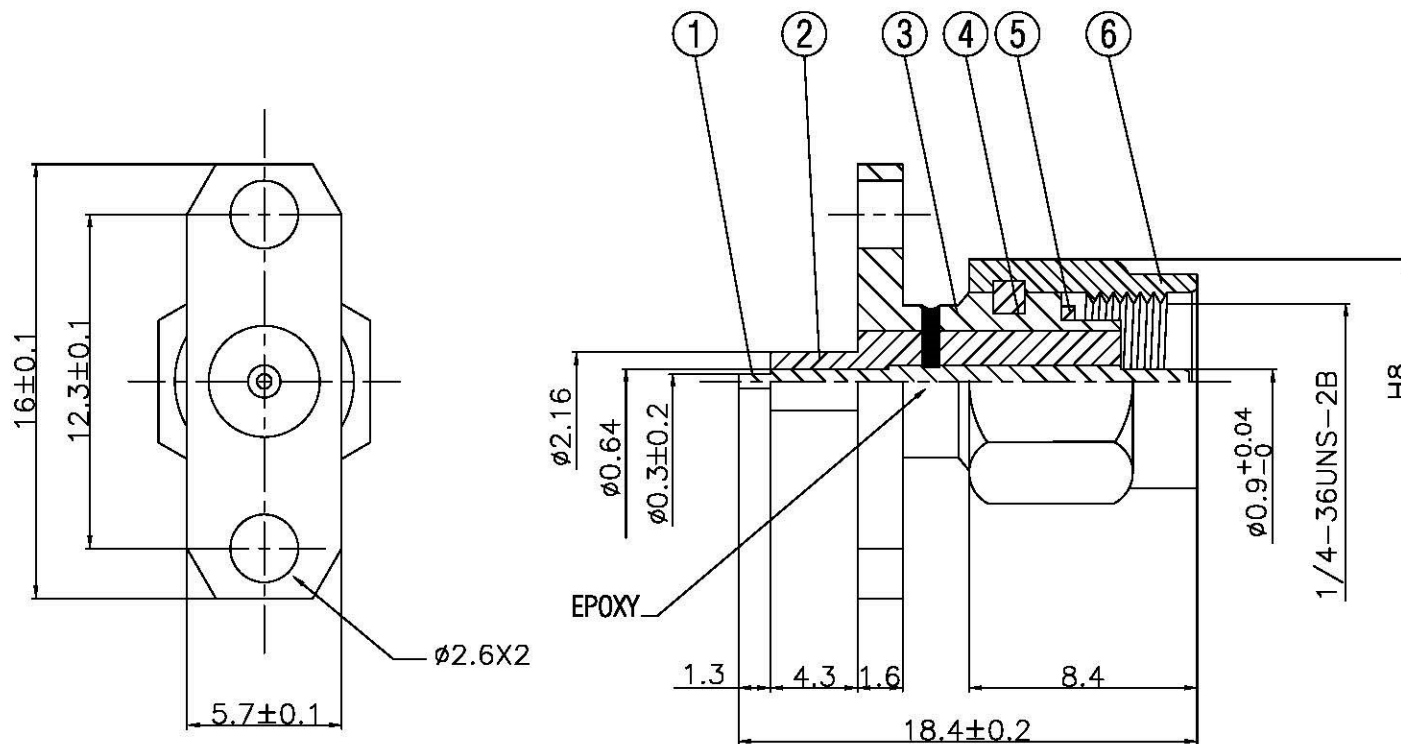
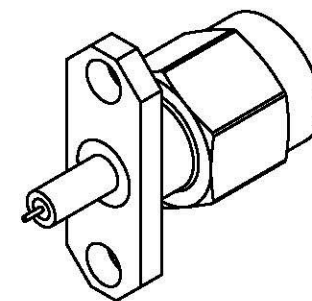
4

3

2

1

NO	DESCRIPTION	MATERIAL	Q'TY	FINISH	REMARK
1	PIN	BRASS	1	GOLD	P-SMA0735-G
2	INSULATION	TEFLON	1	TEFLON	I-0512T
3	BODY	BRASS	1	MIRALLOY	B-SMA1062-M
4	WASHER	PH. BRONZE	1	PH. BRONZE	W-0012
5	GASKET	SI RUBBER	1	RUBBER	RU-0008
6	BODY	BRASS	1	MIRALLOY	B-SMA0043-M



**Allconnectors**

www.allconnectors.de  
tel: 0049 731 7002503  
73734 Filzschmitt Germany

info@allconnectors.de  
fax: 0049 731 7002504  
kennzeichen: 25

DRAWN

MARY

DATE

96.03.15

DIMENSIONS ARE IN MILMMETERS

REVISION

CHECKED

沈佳德

DATE

96.03.15

UNLESS OTHERWISE SPECIFIED  
TOLERANCE

DESCRIPTION

ENGINEER

TITLE SMA FEMALE PC MOUNT  
EPOXY CAPTIVATED FOR SMRC(14-0934PM)

Q.A.

蘇姿潔

DATE

0.5-5= $\pm 0.2$  120-315= $\pm 1$

PART NO. SMA-06V8-TGM

APPROVAL

徐燦霖

DATE

5-30= $\pm 0.4$  315-1000= $\pm 1.6$

DRAWING NO. SMA-06V8-TGM

REVISION

DATE

30-120= $\pm 0.6$  1000-2000= $\pm 2.4$

SCALE

4:1

SIZE

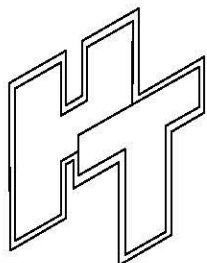
A

4

3

2

1



A

A