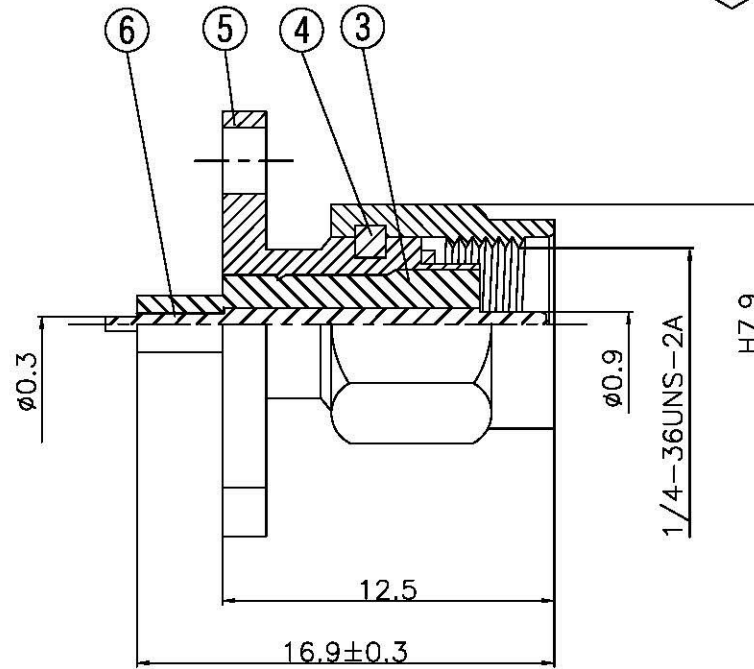
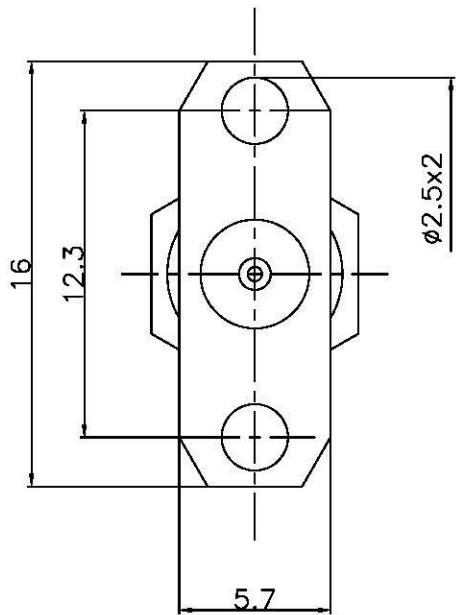
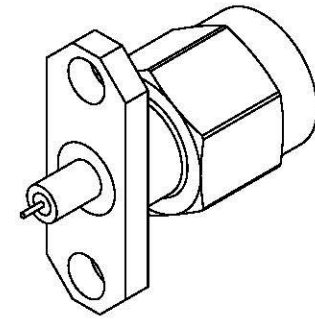


NO	DESCRIPTION	MATERIAL	Q'TY	FINISH	REMARK
1	BODY	BRASS	1	NICKEL	B-SMA0043-N
2	GASKET	SI RUBBER	1	RUBBER	RU-0008
3	INSULATION	TEFLON	1	TEFLON	I-0134T
4	WASHER	PH. BRONZE	1	GOLD	W-0012
5	BODY	BRASS	1	GOLD	B-SMA0094-N
6	PIN	PH. BRONZE	1	GOLD	P-SMA0063-G



	All Connectors <small>www.allconnectors.de info@allconnectors.de TEL: 0049 711 2009103 Fax: 0049 711 2009104 20789 Hildesheim, Germany Kallmeyerstr. 25</small>	DRAWN MARY DATE 96.03.15	DIMENSIONS ARE IN MILLIMETERS		REVISION	
		CHECKED 蘇姿潔 DATE	UNLESS OTHERWISE SPECIFIED TOLERANCE		DESCRIPTION	ENGINEER
		Q.A. 馮健華 DATE	0.5-5=±0.2	120-315=±1		
		APPROVAL 徐燦霖 DATE	5-30=±0.4	315-1000=±1.6		
		REVISION DATE	30-120=±0.6	1000-2000=±2.4		
TITLE SMA FEMALE PANEL RECEPTACLE	PART NO. SMA-06V6-TGN	DRAWING NO. SMA 06V6 TGN	SCALE 4:1	SIZE A		