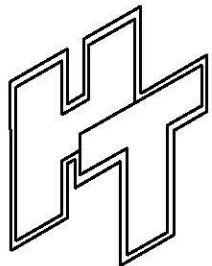
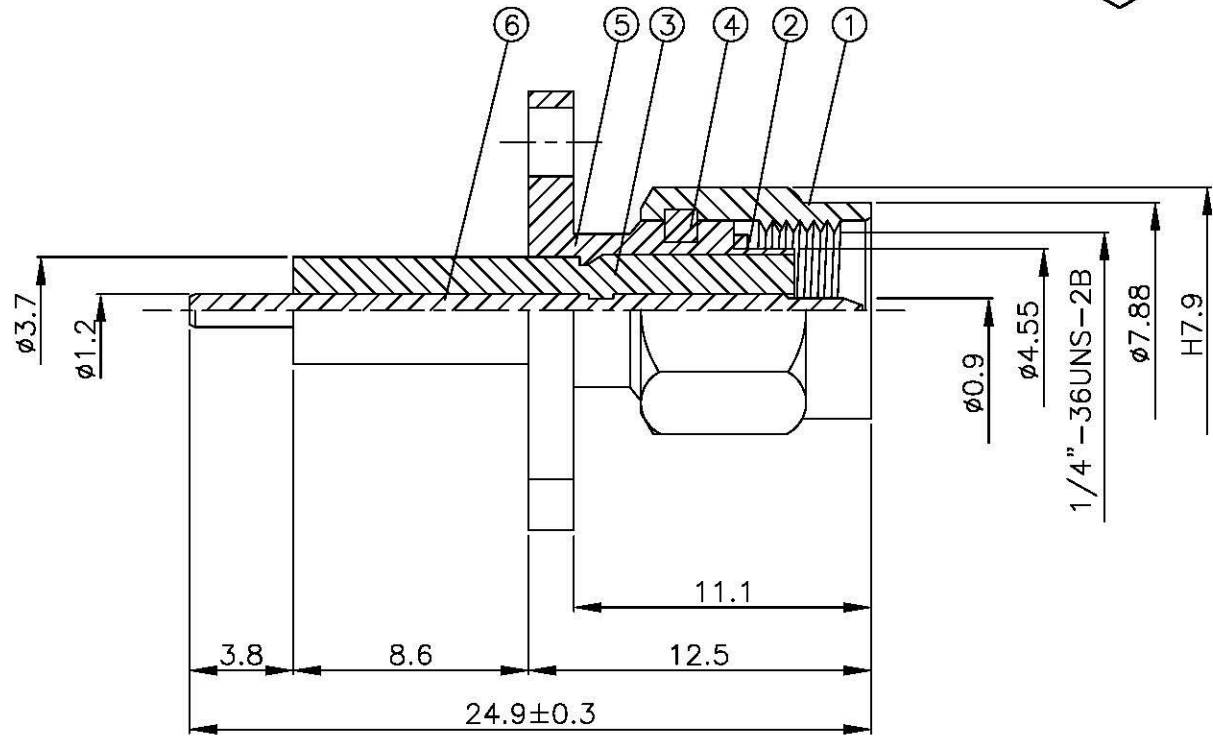
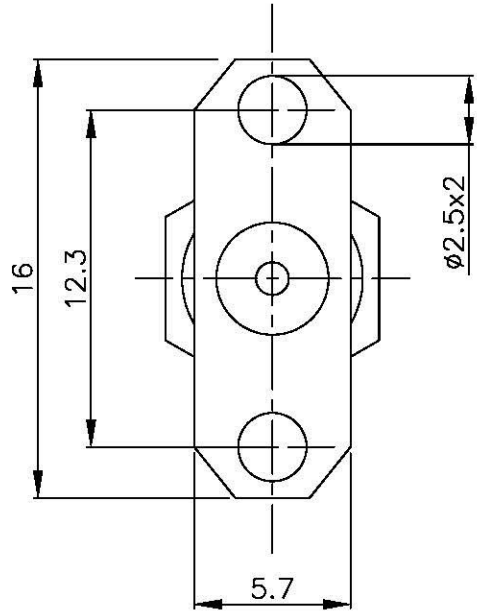
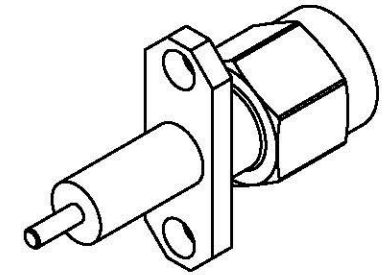


| NO | DESCRIPTION | MATERIAL   | Q'TY | FINISH | REMARK      |
|----|-------------|------------|------|--------|-------------|
| 1  | BODY 1      | BRASS      | 1    | GOLD   | B-SMA0043-G |
| 2  | GASKET      | SI RUBBER  | 1    | RUBBER | RU-0008     |
| 3  | INSULATION  | TEFLON     | 1    | TEFLON | I-0133T     |
| 4  | WASHER      | PH. BRONZE | 1    | GOLD   | W-0012      |
| 5  | BODY 2      | BRASS      | 1    | GOLD   | B-SMA0094-N |
| 6  | PIN         | BRASS      | 1    | GOLD   | P-SMA0061-G |



**Allconnectors**

www.allconnectors.com info@allconnectors.com  
 41169 717 289202 fax: 49 49 717 289204  
 41169 717 289204 Kettelerstr. 21

TITLE  
SMA FEMALE PANEL RECEPTACLE

PART NO. SMA-06V4-TGG

DRAWING NO. SMA 06V4 TGG

DRAWN MARY DATE 96.03.15

CHECKED 黃巧君 DATE

Q.A. 蘇姿潔 DATE

APPROVA 徐燦霖 DATE

REVISION DATE

DIMENSIONS ARE IN MILLIMETERS

UNLESS OTHERWISE SPECIFIED TOLERANCES

0.5-5=±0.2 120-315=±1  
 5-30=±0.4 315-1000=±1.6  
 30-120=±0.6 1000-2000=±2.4

SCALE 5:1 SIZE A

REVISION

DESCRIPTION ENGINEER

A

A

4

3

2

1