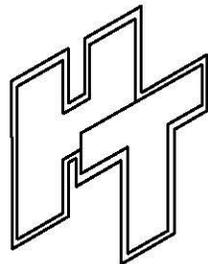
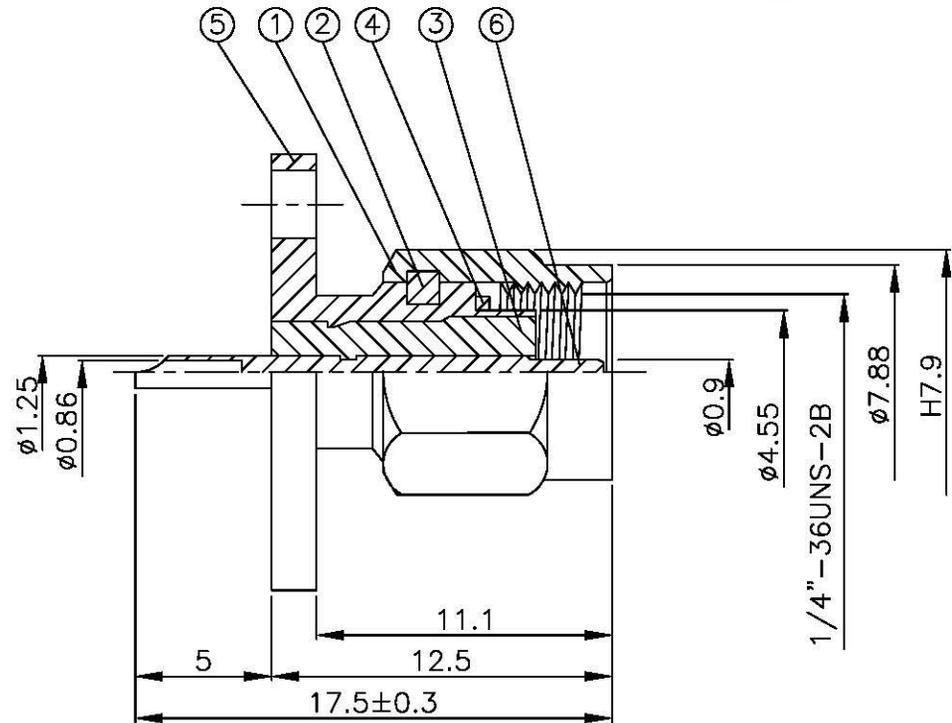
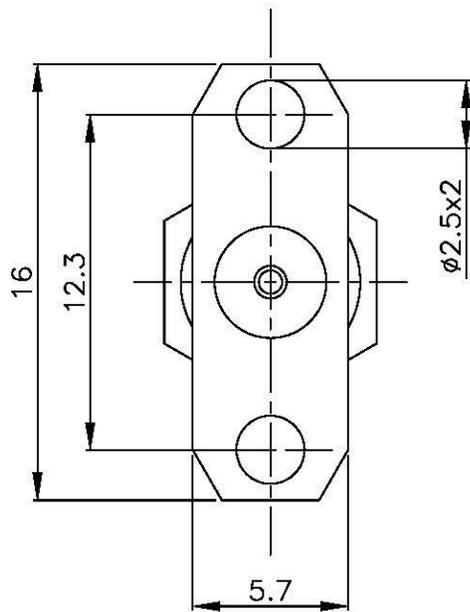
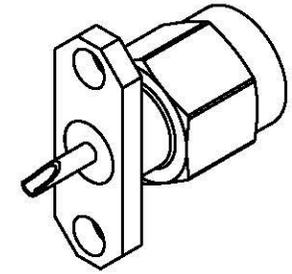


NO	DESCRIPTION	MATERIAL	QTY	FINISH	REMARK
1	SHELL	BRASS	1	GOLD	B-SMA0043-G
2	GASKET	SI RUBBER	1	RUBBER	RU-0008
3	INSULATION	TEFLON	1	TEFLON	I-0132T
4	WASHER	PH. BRONZE	1	GOLD	W-0012
5	BODY	BRASS		GOLD	B-SMA0094-G
6	PIN	BRASS		GOLD	P-SMA0060-G



**All Connectors**

www.allconnectors.de info@allconnectors.de  
 Tel.: 0049 714 7009303 Fax: 0049 714 7009304  
 70791 Filzbergstadt - Germany kettenberg@ic.ch

TITLE SMA FEMALE PANEL RECEPTACLE

PART NO. SMA-06-TGG

DRAWING NO. SMA 06 TGG

DRAWN MARY DATE 96.03.15

CHECKED 黄巧君 DATE 96.03.15

Q.A. 蘇姿潔 DATE

APPROVAL 徐燦霖 DATE

REVISION DATE

DIMENSIONS ARE IN MILLIMETERS

UNLESS OTHERWISE SPECIFIED TOLERANCES

0.5-5=±0.2 120-315=±1  
 5-30=±0.4 315-1000=±1.6  
 30-120=±0.6 1000-2000=±2.4

SCALE 5:1 SIZE A

REVISION

DESCRIPTION ENGINEER

D

C

B

A

D

C

B

A

4

3

2

1