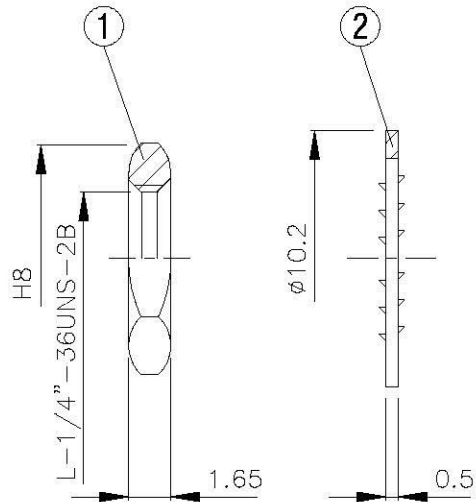
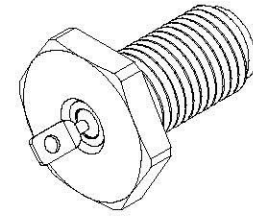
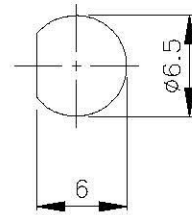
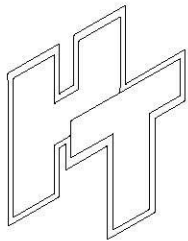
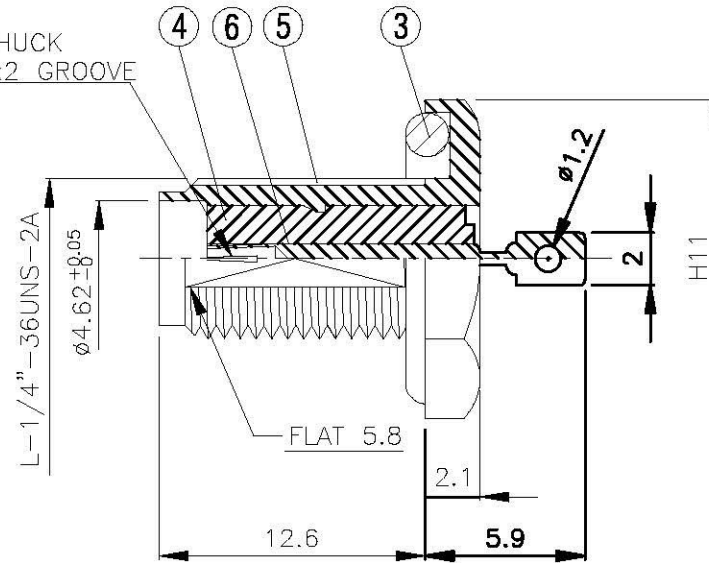


NO	DESCRIPTION	MATERIAL	Q'TY	FINISH
1	NUT	BRASS	1	NICKEL
2	WASHER	BRASS	1	NICKEL
3	GASKET	SI RUBBER	1	RUBBER
4	INSULATION	TEFLON	1	TEFLON
5	BODY	BRASS	1	NICKEL
6	PIN	BE CU	1	GOLD



PIN CHUCK  
0.2x2x2 GROOVE



**All Connectors**

www.allconnectors.de  
Tel.: 0049 711 7099593  
70794 Plochingen, Germany

info@allconnectors.de  
Fax: 0049 711 7099104  
Kittlingenstr. 23

TITLE **SMA BULKHEAD JACK RECEPTACLE**

PART NO. **SMA-05V4-TGG**

DRAWING NO. **SMA 05V4-TGG**

DRAWN **蘇姿深** DATE **97.07.23**

CHECKED **蘇志欣** DATE

Q.A. **林妙樺** DATE

APPROVAL **徐廣霖** DATE

REVISION DATE

DIMENSIONS ARE IN MILLIMETERS

UNLESS OTHERWISE SPECIFIED TOLERANCE

0.5-5=±0.2 120-315=±1  
5-30=±0.4 315-1000=±1.6  
30-120=±0.6 1000-2000=±2.4

SCALE 4:1 SIZE A

REVISION

DESCRIPTION ENGINEER

4

3

2

1