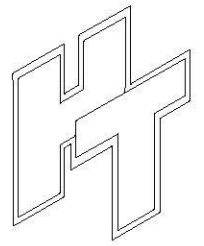
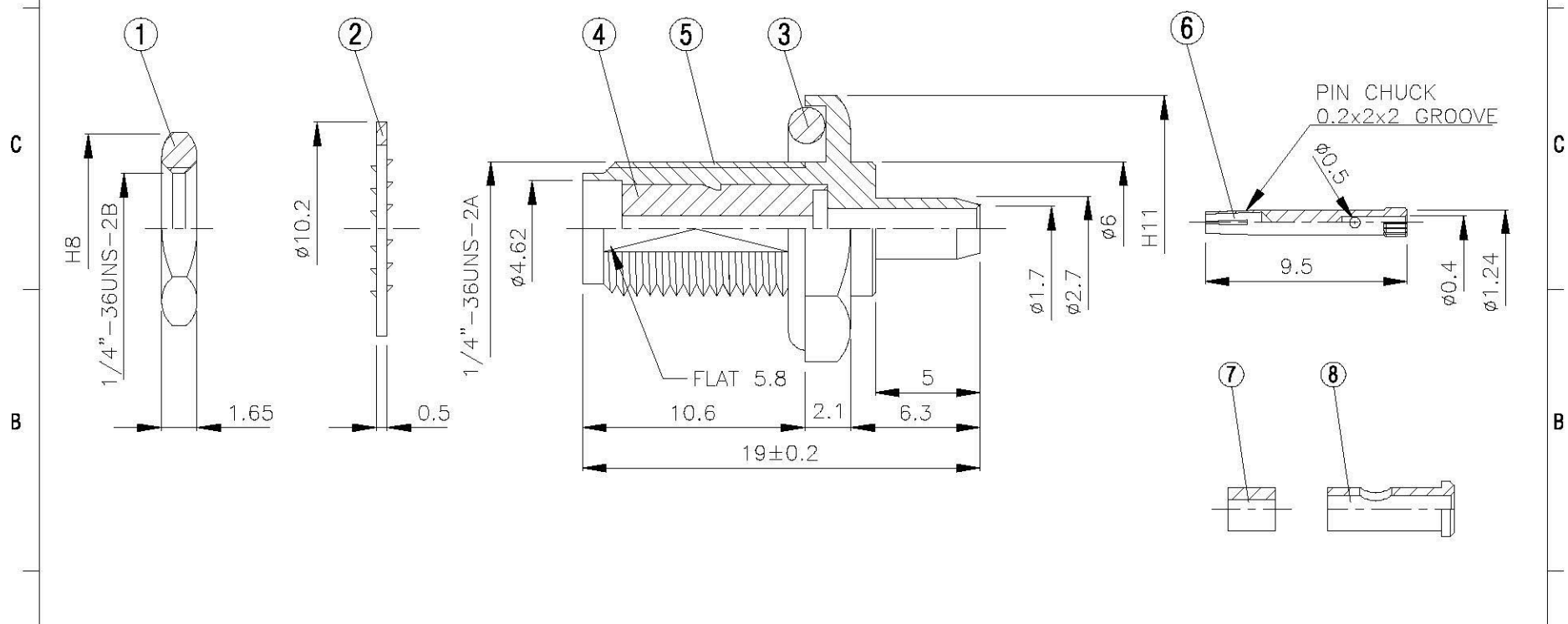
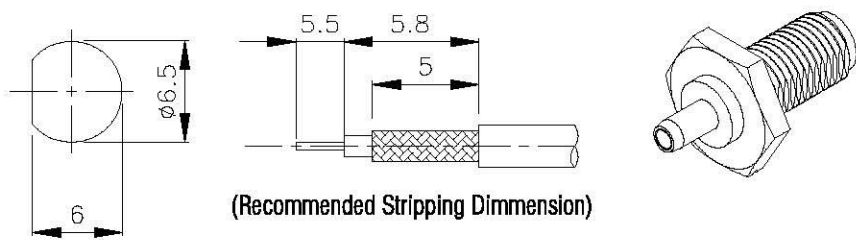


NO	DESCRIPTION	MATERIAL	Q'TY	FINISH	REMARK
1	NUT	BRASS	1	NICKEL	N-0006-G
2	WASHER	BRASS	1	NICKEL	W-0016-G
3	GASKET	SI RUBBER	1	RUBBER	RU-0014
4	INSULATION	TEFLON	1	TEFLON	I-0131T
5	BODY	BRASS	1	NICKEL	B-SMA0205-N
6	PIN	BE CU	1	GOLD	P-SMA0635-G
7	INSULATION	TEFLON	1	TEFLON	I-0256T
8	BODY	BRASS	1	NICKEL	B-SMA0473-N



All Connectors
 www.allconnectors.com
 Tel.: 0548 711 7008203
 70754 Pflanzholz, Schramm

SMA FEMALE CRIMP FOR 178/U

PART NO. SMA-05M-TGG

DRAWING NO. SMA 05M TGG

DRAWN MARY

CHECKED 蘇姿潔

Q.A. 馮健華

APPROVA 徐燦霖

REVISION

DATE 96.03.19

DATE

DATE

DATE

DATE

DIMENSIONS ARE IN MILLIMETERS

UNLESS OTHERWISE SPECIFIED TOLERANCE

0.5-5=±0.2 120-315=±1

5-30= ±0.4 315-1000=±1.6

30-120=±0.6 1000-2000=±2.4

SCALE 4:1 SIZE A

REVISION	
DESCRIPTION	ENGINEER