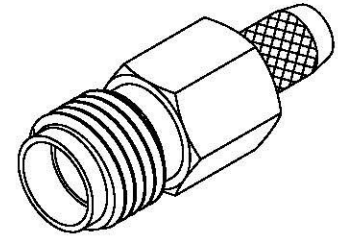
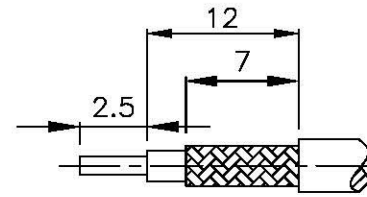
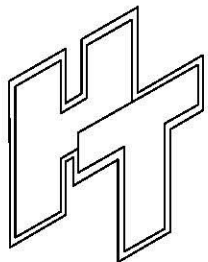
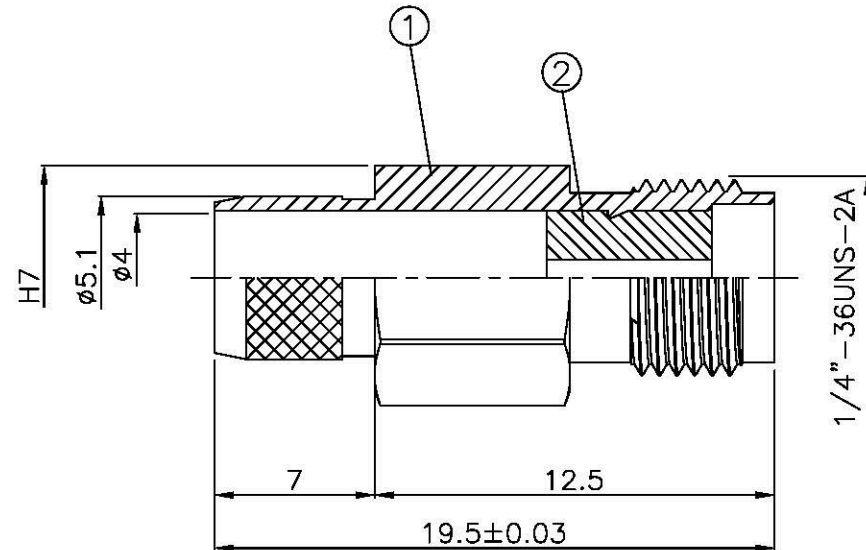
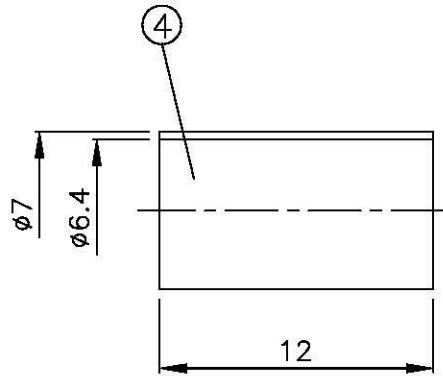
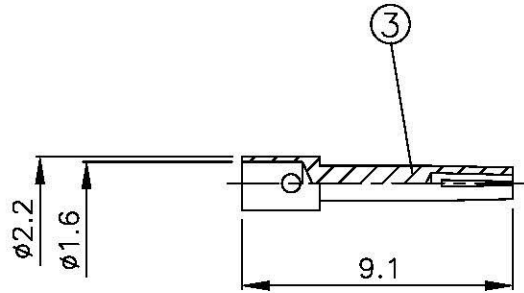


NO	DESCRIPTION	MATERIAL	Q'TY	FINISH	REMARK
1	BODY	BRASS	1	NICKEL	B-SMA0840-N
2	INSULATION	TEFLON	1	TEFLON	I-0115T
3	PIN	Be Cu	1	GOLD	P-SMA0590-G
4	RING	BRASS	1	NICKEL	R-0064-N



(Recommended Stripping Dimension)



All Connectors
 www.allconnectors.de
 info@allconnectors.de
 Tel: +49 41 300260
 70294 Filderstadt - Germany

TITLE SMA FEMALE CRIMP FOR LMR-240

PART NO. SMA-04R-TGN

DRAWING NO. SMA 04R TGN

DRAWN MARY DATE 95.11.01

CHECKED 黄巧君 DATE 95.11.01

Q.A. 蘇姿潔 DATE

APPROVAL 徐燦霖 DATE

REVISION DATE

DIMENSIONS ARE IN MILLIMETERS

UNLESS OTHERWISE SPECIFIED TOLERANCES

0.5-5=±0.2 120-315=±1
 5-30=±0.4 315-1000=±1.6
 30-120=±0.6 1000-2000=±2.4

SCALE 4:1 SIZE A

REVISION

DESCRIPTION ENGINEER

D

C

B

A

D

C

B

A

4

3

2

1