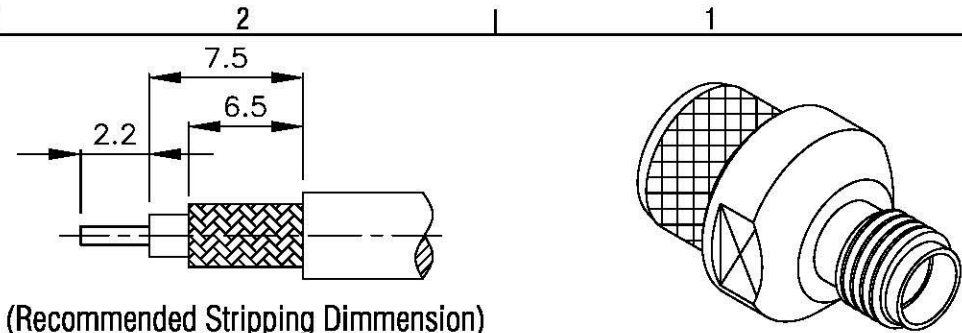
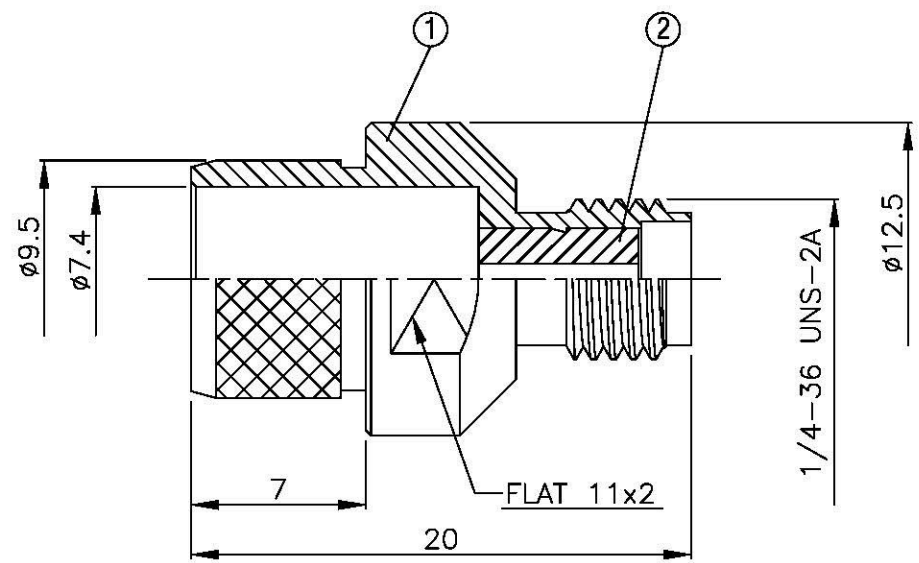
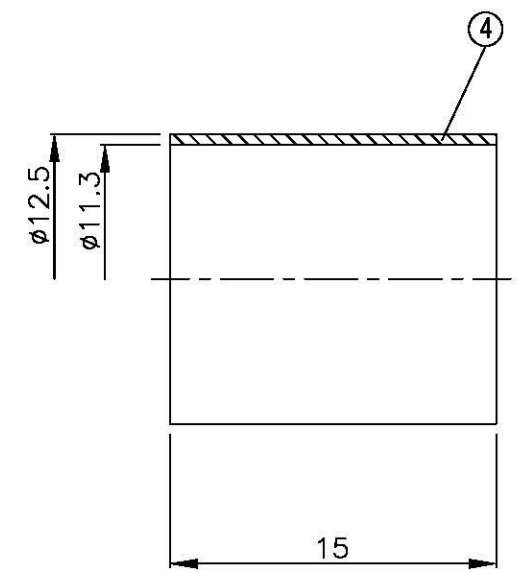
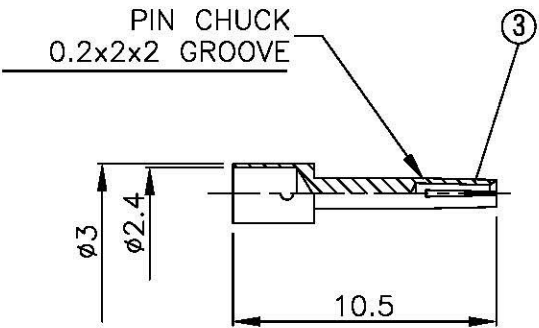


NO	DESCRIPTION	MATERIAL	QTY	FINISH	REMARK
1	BODY	BRASS	1	NICKEL	B-SMA0702-N
2	INSULATION	TEFLON	1	TEFLON	I-0340T
3	PIN	Be Cu	1	GOLD	P-SMA0487-G
4	RING	BRASS	1	NICKEL	R-0010-N



(Recommended Stripping Dimension)



DRAWN	MARY	DATE	96.03.15
CHECKED	蘇姿潔	DATE	
Q.A.	馮健華	DATE	
APPROVAL	徐燦霖	DATE	
REVISION		DATE	

DIMENSIONS ARE IN MILLIMETERS			
UNLESS OTHERWISE SPECIFIED TOLERANCES			
0.5-5=±0.2	120-315=±1		
5-30=±0.4	315-1000=±1.6		
30-120=±0.6	1000-2000=±2.4		
SCALE	4:1	SIZE	A

REVISION	
DESCRIPTION	ENGINEER

<small>www.allconnectors.de info@allconnectors.de</small> <small>Tel: 0049 711 3005503 Fax: 0049 711 3005504</small> <small>30294 Filderstadt - Germany Karlsruhe, DE</small>	
TITLE	SMA FEMALE CRIMP FOR RG-213/U
PART NO.	SMA-04B-TGN
DRAWING NO.	SMA 04B TGN

