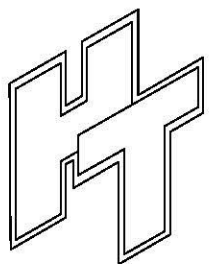
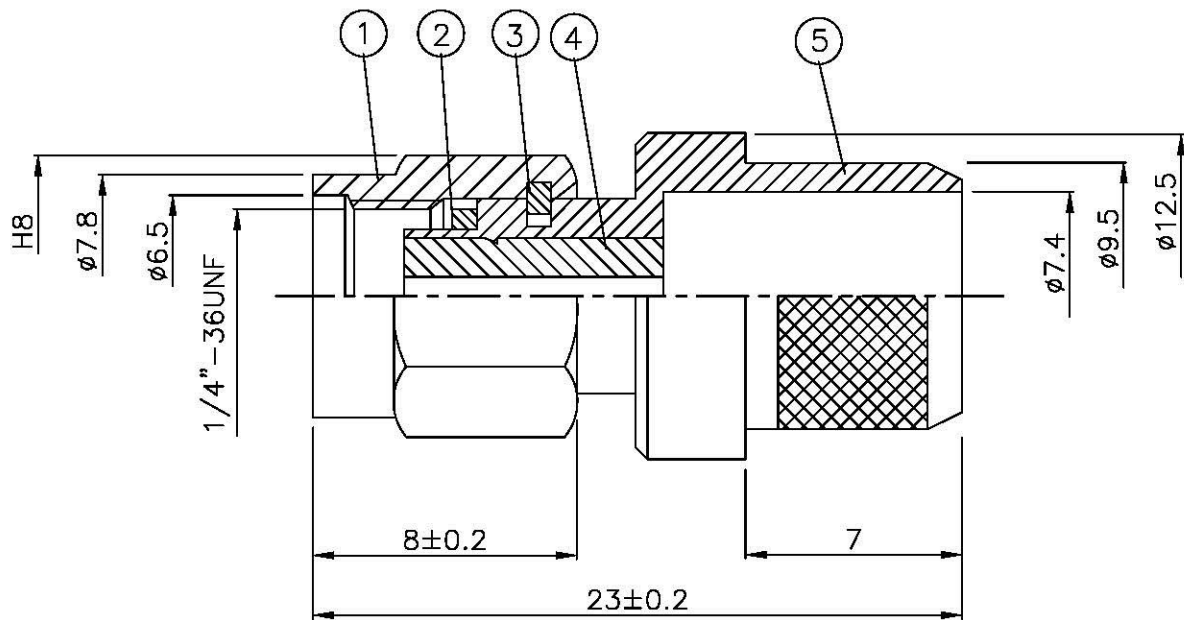
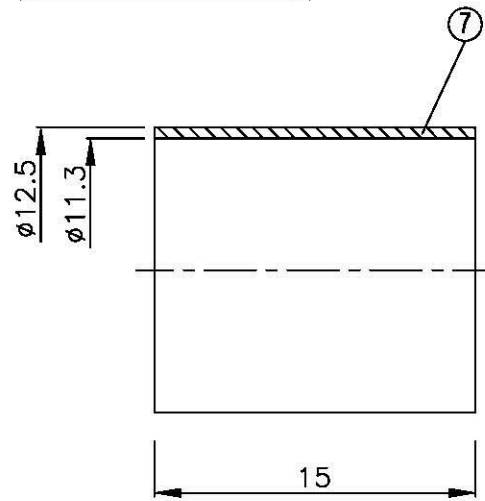
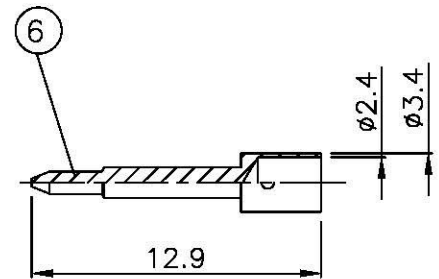
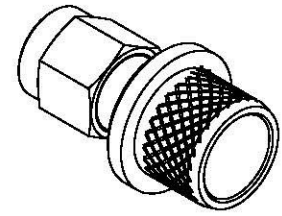
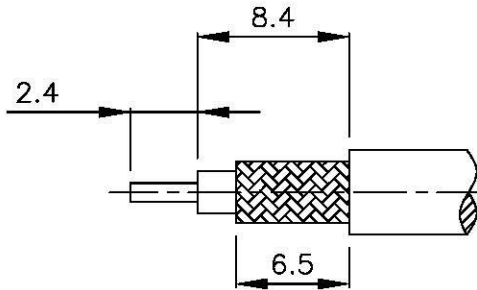


NO	DESCRIPTION	MATERIAL	Q'TY	FINISH	REMARK
1	SHELL	BRASS	1	NICKEL	B-SMA0043-N
2	GASKET	SI RUBBER	1	RUBBER	RU-0008
3	WASHER	BRASS	1	NICKEL	W-0012
4	INSULATION	TEFLON	1	TEFLON	I-0115T
5	BODY	BRASS	1	NICKEL	B-SMA1036-N
6	PIN	BRASS	1	GOLD	P-SMA0719-G
7	RING	BRASS	1	NICKEL	R-0010-N



All Connectors
 www.allconnectors.de info@allconnectors.de
 E-MAIL: 0049 711 4002000 FAX: 0049 711 4002001
 70754 Filderstadt, Germany Kettelerstr. 25

TITLE SMA MALE CRIMP FOR RG-213/U
PART NO. SMA-03B-TGN
DRAWING NO. SMA-03B-TGN

DRAWN MARY **DATE** 96.06.21
CHECKED 蘇志欣 **DATE**
Q.A. 蘇姿潔 **DATE**
APPROVAL 徐燦霖 **DATE**
REVISION **DATE**

DIMENSIONS ARE IN MILLIMETERS
 UNLESS OTHERWISE SPECIFIED TOLERANCES
 0.5-5=±0.2 120-315=±1
 5-30=±0.4 315-1000=±1.6
 30-120=±0.6 1000-2000=±2.4
SCALE 4:1 **SIZE** A

REVISION	
DESCRIPTION	ENGINEER