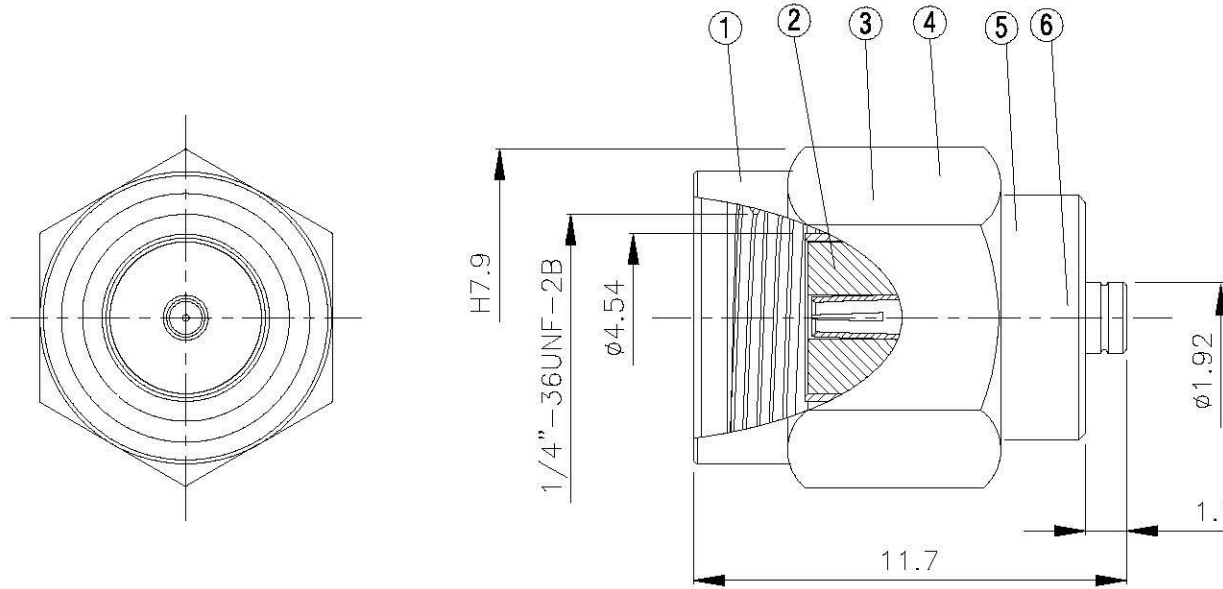
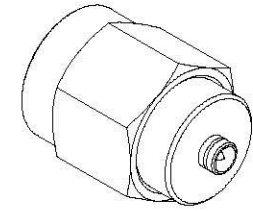
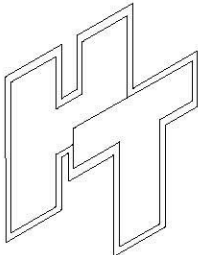



NO	DESCRIPTION	MATERIAL	Q'TY	FINISH	REMARK
1	SHELL	BRASS	1	GOLD	B-SMA0043-G
2	INSULATION	TEFLON	1	TEFLON	I-0473T
3	GASKET	SI RUBBER	1	RUBBER	RU-0008
4	WASHER	PH.BRONZE	1	GOLD	W-0012
5	BODY	BRASS	1	GOLD	B-SMA0974-G
6	PIN	BE CU	1	GOLD	P-SMA0679-G



	 <small>www.allconnectors.de    info@allconnectors.de</small> <small>Tel.: 0049 711 7009503    Fax: 0049 711 7009504</small> <small>70794 Heilbronn, Germany    Kottbusstr. 25</small>	DRAWN	MARY	DATE	94.08.13	DIMENSIONS ARE IN MILLIMETERS			REVISION	
		CHECKED	蘇姿潔	DATE	94.08.13	UNLESS OTHERWISE SPECIFIED TOLERANCE			DESCRIPTION	ENGINEER
		Q.A.	馮健華	DATE		0.5-5=±0.2	120-315=±1			
		APPROVAL	徐燦霖	DATE		5-30=±0.4	315-1000=±1.6			
		REVISION		DATE		30-120±0.6	1000-2000=±2.4			
TITLE	SMA MALE RP-U.FL FEMALE SMT ADAPTOR				SCALE	4:1	SIZE	A		
PART NO.	SMA-87-TGG-RP									
DRAWING NO.	SMA-87-TGG-RP									