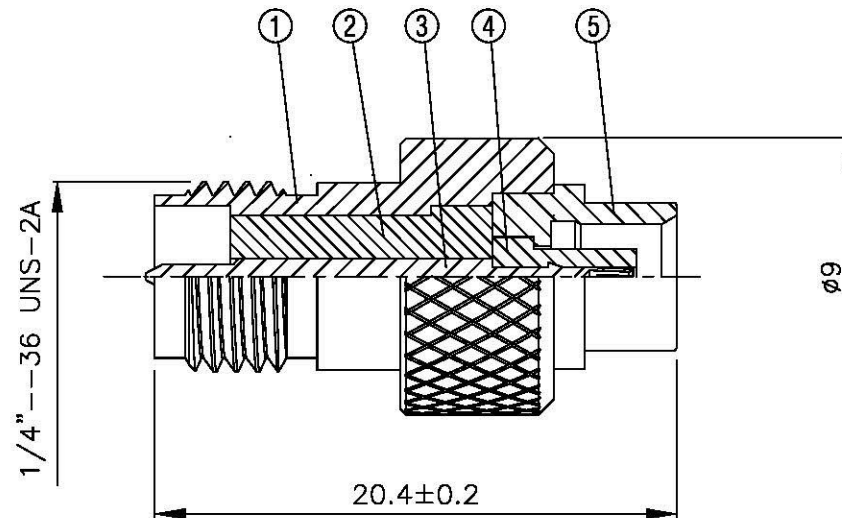
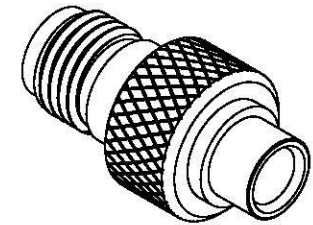


NO	DESCRIPTION	MATERIAL	Q'TY	FINISH	REMARK
1	BODY 1	BRASS	1	GOLD	B-SMA0632-G
2	INSULATION 1	TEFLON	1	TEFLON	I-0286T
3	PIN	BE CU	1	GOLD	P-MCX0481-G
4	INSULATION 2	TEFLON	1	TEFLON	I-0298T
5	BODY 2	BRASS	1	GOLD	B-MCX0550-G



	All Connectors <small>www.allconnectors.de Tel.: 0049 711 7005003 70764 Filderstadt, Germany</small>	DRAWN MARY	DATE 96.06.27	DIMENSIONS ARE IN MILLIMETERS		REVISION	
	TITLE SMA FEMALE - MCX FEMALE ADAPTOR (REVERSE POLARITY) PART NO. SMA-72-TGG-RP DRAWING NO. SMA 72 TGG-RP	CHECKED 蘇志欣	DATE	UNLESS OTHERWISE SPECIFIED TOLERANCE 0.5-5=±0.2 120-315=±1 5-30= ±0.4 315-1000=±1.6 30-120±0.6 1000-2000=±2.4		DESCRIPTION	ENGINEER
		Q.A. 蘇姿潔	DATE				
		APPROVAL 徐燦霖	DATE				
		REVISION	DATE				
		SCALE 4:1	SIZE A				