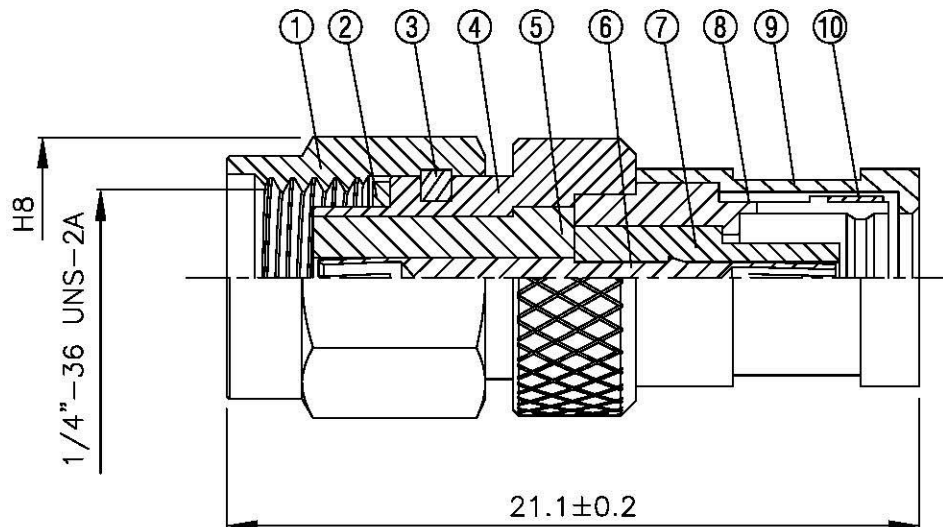
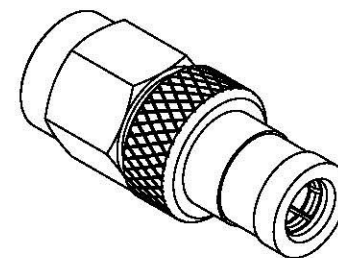


| NO | DESCRIPTION  | MATERIAL  | Q'TY | FINISH | REMARK      |
|----|--------------|-----------|------|--------|-------------|
| 1  | BODY 1       | BRASS     | 1    | GOLD   | B-SMA0043-G |
| 2  | GASKET       | SI RUBBER | 1    | RUBBER | RU-0008     |
| 3  | WASHER       | PH.BRONZE | 1    | GOLD   | W-0012      |
| 4  | BODY 2       | BRASS     | 1    | GOLD   | B-SMA0614-G |
| 5  | INSULATION 1 | TEFLON    | 1    | TEFLON | I-0286T     |
| 6  | PIN          | BE CU     | 1    | GOLD   | P-SMB0420-G |
| 7  | INSULATION 2 | TEFLON    | 1    | TEFLON | I-0053T     |
| 8  | BODY 3       | BRASS     | 1    | GOLD   | B-SMB0263-G |
| 9  | BODY 4       | BRASS     | 1    | GOLD   | B-SMB0245-G |
| 10 | WASHER       | PH.BRONZE | 1    | GOLD   | W-0035-G    |



|  |   |                                   |                               |   |          |             |          |
|--|---|-----------------------------------|-------------------------------|---|----------|-------------|----------|
|  | <b>All Connectors</b><br><small>www.allconnectors.de    info@allconnectors.de</small><br><small>Tel.: 0049 /31 / 902503    Fax: 0049 /31 / 902504</small><br><small>70794 Filderstadt - Germany    Kottbusstr. 25</small> | DRAWN    MARY    DATE    96.06.27 | DIMENSIONS ARE IN MILLIMETERS |   | REVISION |             |          |
|  |   | CHECKED    蘇志欣                    | DATE                          | UNLESS OTHERWISE SPECIFIED<br>TOLERANCE |          | DESCRIPTION | ENGINEER |
|  |   | Q.A.    蘇姿潔                       | DATE                          | 0.5-5=±0.2    120-315=±1                |          |             |          |
|  |   | APPROVAL    徐燦霖                   | DATE                          | 5-30= ±0.4    315-1000=±1.6             |          |             |          |
|  |   | REVISION                          | DATE                          | 30-120±0.6    1000-2000=±2.4            |          |             |          |
| TITLE    SMA MALE - SMB FEMALE<br>ADAPTOR (REVERSE POLARITY) | PART NO.    SMA-69-TGG-RP   | DRAWING NO.    SMA 69 TGG-RP      | SCALE    4:1    SIZE    A     |   |          |             |          |