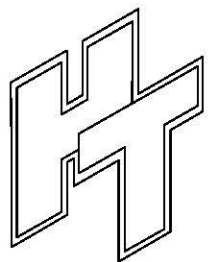
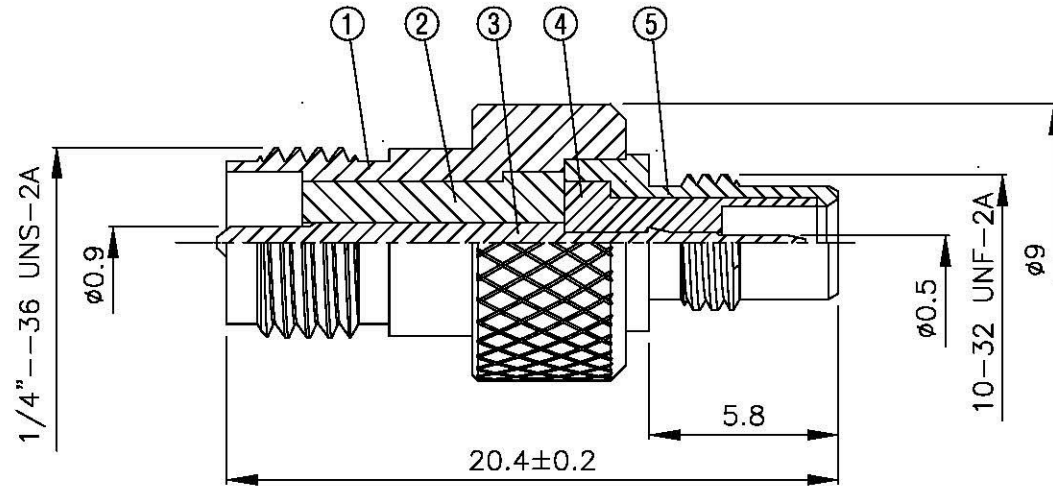
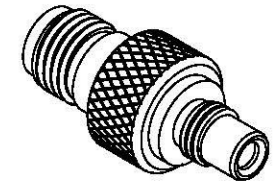


NO	DESCRIPTION	MATERIAL	Q'TY	FINISH	REMARK
1	BODY 1	BRASS	1	GOLD	B-SMA0632-G
2	INSULATION 1	TEFLON	1	TEFLON	I-0286T
3	PIN	BE CU	1	GOLD	P-SMB0479-G
4	INSULATION 2	TEFLON	1	TEFLON	I-0058T
5	BODY 2	BRASS	1	GOLD	B-SMC0333-G



All Connectors

www.allconnectors.com
 info@allconnectors.com
 Tel: +86 21 211 40700
 Fax: +86 21 211 40701
 407011 Lindenbad - Germany

TITLE SMA FEMALE - SMC MALE
 ADAPTOR (REVERSE POLARITY)

PART NO. SMA-66-TGG-RP

DRAWING NO. SMA 66 TGG-RP

DRAWN MARY DATE 96.06.27

CHECKED 蘇志欣

Q.A. 蘇姿潔

APPROVAL 徐燦霖

REVISION

DATE

DATE

DATE

DATE

DIMENSIONS ARE IN MILLIMETERS

UNLESS OTHERWISE SPECIFIED
 TOLERANCE

0.5-5=±0.2 120-315=±1

5-30=±0.4 315-1000=±1.6

30-120±0.6 1000-2000=±2.4

SCALE 4:1 SIZE A

REVISION

DESCRIPTION ENGINEER