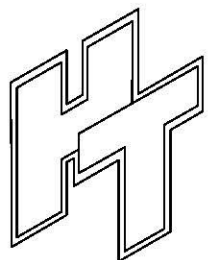
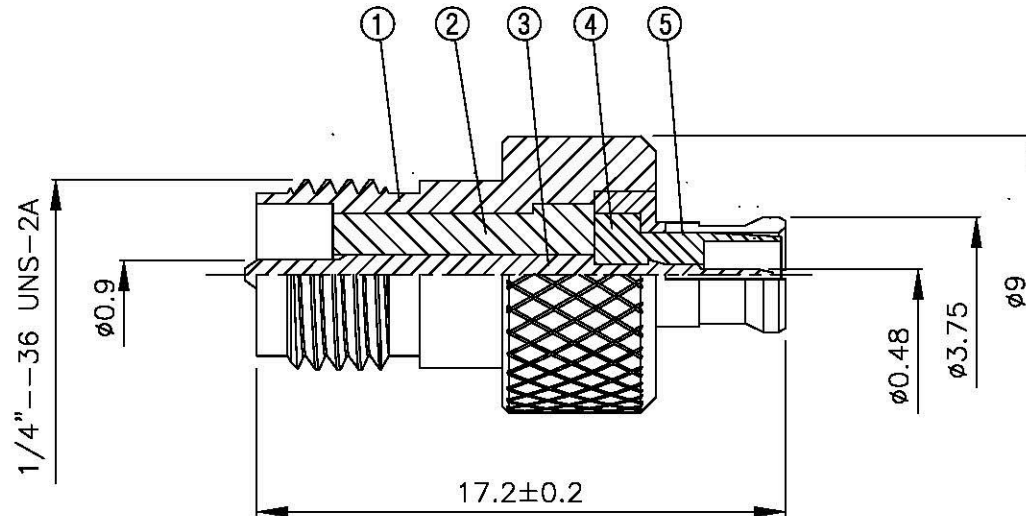
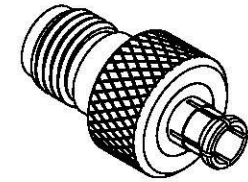


NO	DESCRIPTION	MATERIAL	Q'TY	FINISH	REMARK
1	BODY 1	BRASS	1	GOLD	B-SMA0632-G
2	INSULATION 1	TEFLON	1	TEFLON	I-0286T
3	PIN	PH.BRONZE	1	GOLD	P-MCX0476-G
4	INSULATION 2	TEFLON	1	TEFLON	I-0276T
5	BODY 2	BE CU	1	GOLD	B-MCX0596-G



All Connectors

www.allconnectors.de
Tel.: 0049 711 7009501
70794 Filderstadt - Germany

info@allconnectors.de
Fax: 0049 711 7009504
Kellereinstr. 28

TITLE SMA FEMALE - MCX MALE
ADAPTOR (REVERSE POLARITY)

PART NO. SMA-64-TGG-RP

DRAWING NO. SMA 64 TGG-RP

DRAWN MARY DATE 96.06.27

CHECKED 蘇志欣 DATE

Q.A. 蘇姿潔 DATE

APPROVAL 徐燦霖 DATE

REVISION DATE

DIMENSIONS ARE IN MILLIMETERS

UNLESS OTHERWISE SPECIFIED
TOLERANCE
0.5-5=±0.2 120-315=±1
5-30=±0.4 315-1000=±1.6
30-120±0.6 1000-2000=±2.4

SCALE 4:1 SIZE A

REVISION

DESCRIPTION	ENGINEER

D

D

C

C

B

B

A

A

4

3

2

1