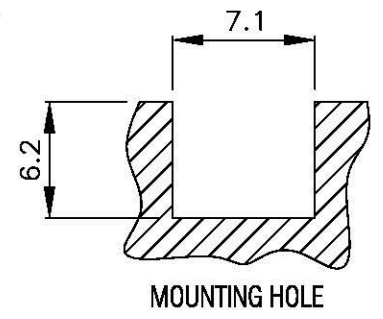
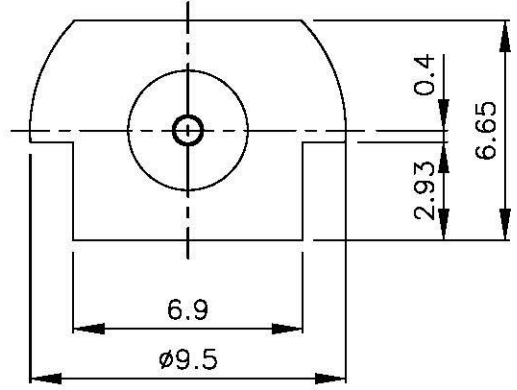
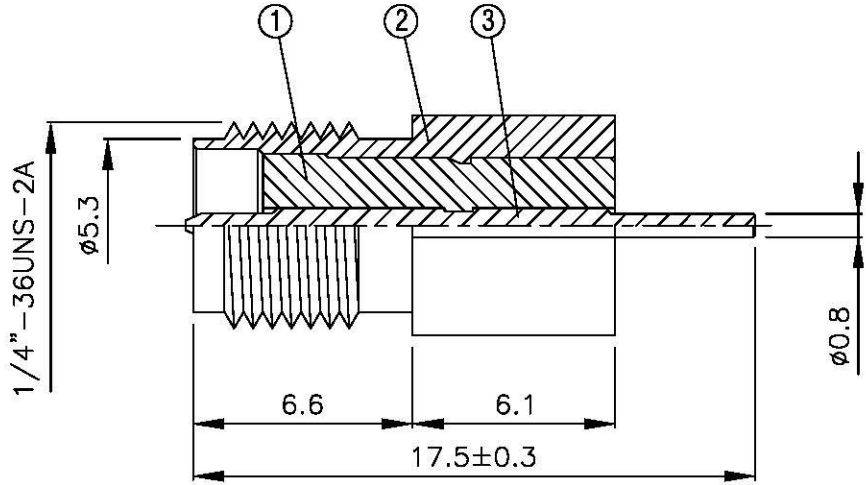
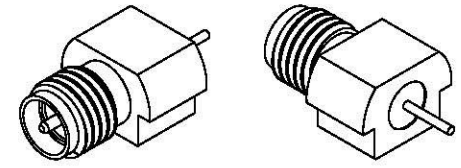
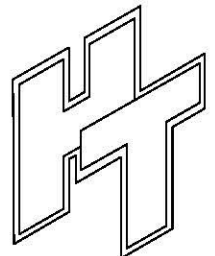


| NO | DESCRIPTION | MATERIAL | Q'TY | FINISH | REMARK |
|----|-------------|----------|------|--------|-------------|
| 1 | INSULATION | TEFLON | 1 | TEFLON | I-0016T |
| 2 | BODY | BRASS | 1 | GOLD | B-SMA0156-G |
| 3 | PIN | BRASS | 1 | GOLD | P-SMA0099-G |

All Connectors
 www.allconnectors.de info@allconnectors.de
 Tel: 0049 7173 400000 Fax: 0049 7173 400000
 402991 Düsseldorf - Germany Kellerstr. 14a, 25

TITLE SMA FEMALE END LAUNCH (REVERSE POLARITY)

PART NO. SMA-48-TGG-RP

DRAWING NO. SMA 48 TGG-RP

| | |
|---------------------|----------------------|
| DRAWN MARY | DATE 96.05.08 |
| CHECKED 黄巧君 | DATE |
| Q.A. 蘇姿潔 | DATE |
| APPROVAL 徐燦霖 | DATE |
| REVISION | DATE |

| | | | |
|---------------------------------------------|----------------|--|--|
| DIMENSIONS ARE IN MILLIMETERS | | | |
| UNLESS OTHERWISE SPECIFIED TOLERANCE | | | |
| 0.5-5=±0.2 | 120-315=±1 | | |
| 5-30=±0.4 | 315-1000=±1.6 | | |
| 30-120±0.6 | 1000-2000=±2.4 | | |
| SCALE 4:1 | SIZE A | | |

| REVISION | |
|--------------------|-----------------|
| DESCRIPTION | ENGINEER |
| | |
| | |
| | |