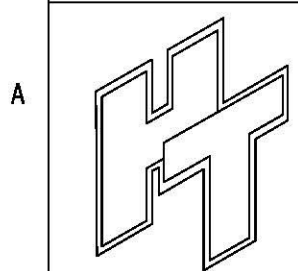
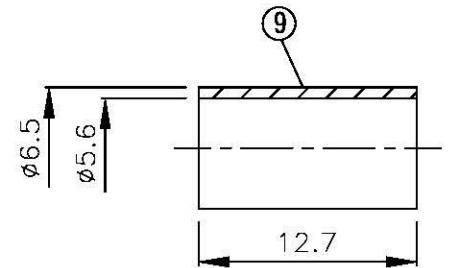
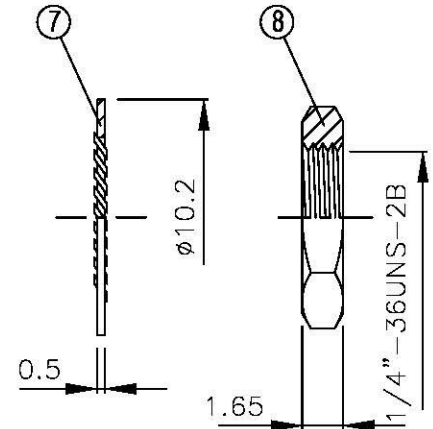
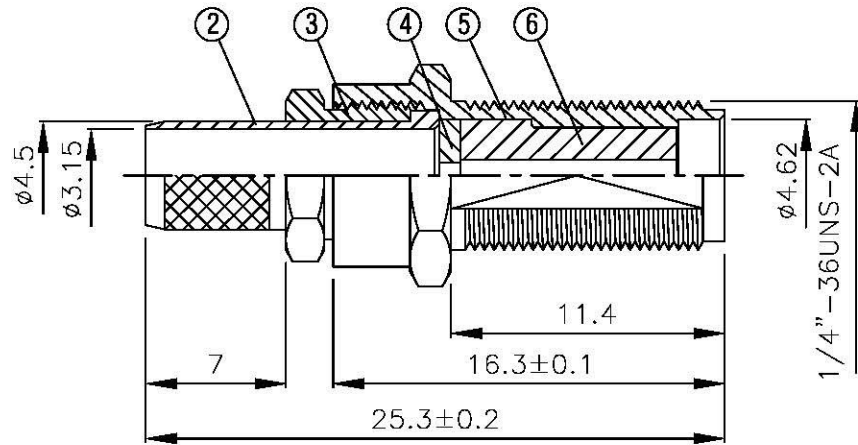
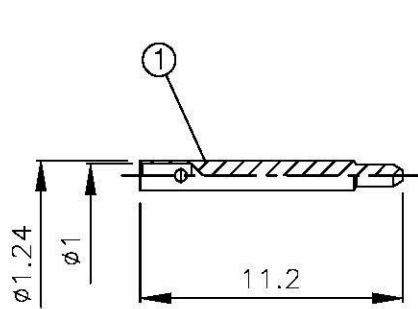
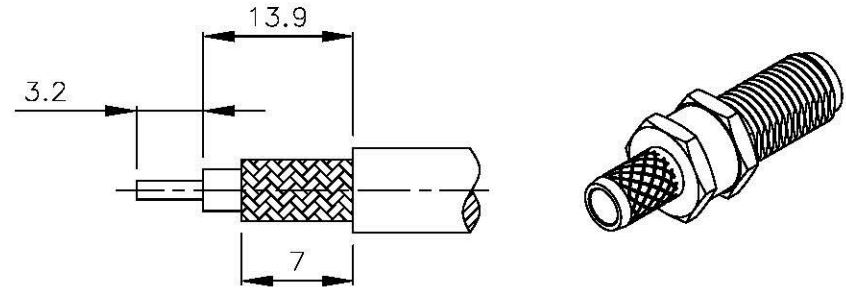


NO	DESCRIPTION	MATERIAL	Q'TY	FINISH	REMARK
1	PIN	BRASS	1	GOLD	P-SMA0058-G
2	BODY 1	BRASS	1	GOLD	B-SMA0234-G
3	NUT 1	BRASS	1	GOLD	N-0020-G
4	INSULATION 1	TEFLON	1	TEFLON	I-0048T
5	BODY 2	BRASS	1	GOLD	B-SMA0232-G
6	INSULATION 2	TEFLON	1	TEFLON	I-0049T
7	WASHER	BRASS	1	GOLD	W-0016
8	NUT 2	BRASS	1	GOLD	N-0006-G
9	RING	BRASS	1	GOLD	R-0007-G



**All Connectors**  
 www.allconnectors.com info@allconnectors.com  
 Tel.: 0015 711 7005003 Fax: 0019 711 7005004  
 70794 Filderstadt Germany Rellingen, 25

**TITLE SMA FEMALE CRIMP FOR RG58/U (REVERSE POLARITY)**

**PART NO. SMA-44F-TGG-RP**

**DRAWING NO. SMA 44F TGG RP**

**DRAWN MARY** **DATE 91.02.21**

**CHECKED 蘇姿潔** **DATE**

**Q.A. 馮健華** **DATE**

**APPROVAL 徐燦霖** **DATE**

**REVISION** **DATE**

**DIMENSIONS ARE IN MILLIMETERS**

**UNLESS OTHERWISE SPECIFIED TOLERANCE**

0.5-5=±0.2 120-315=±1  
 5-30=±0.4 315-1000=±1.6  
 30-120=±0.6 1000-2000=±2.4

**SCALE 4:1** **SIZE A**

REVISION	
DESCRIPTION	ENGINEER