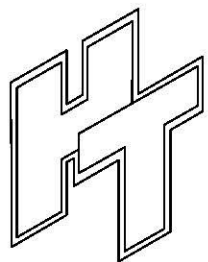
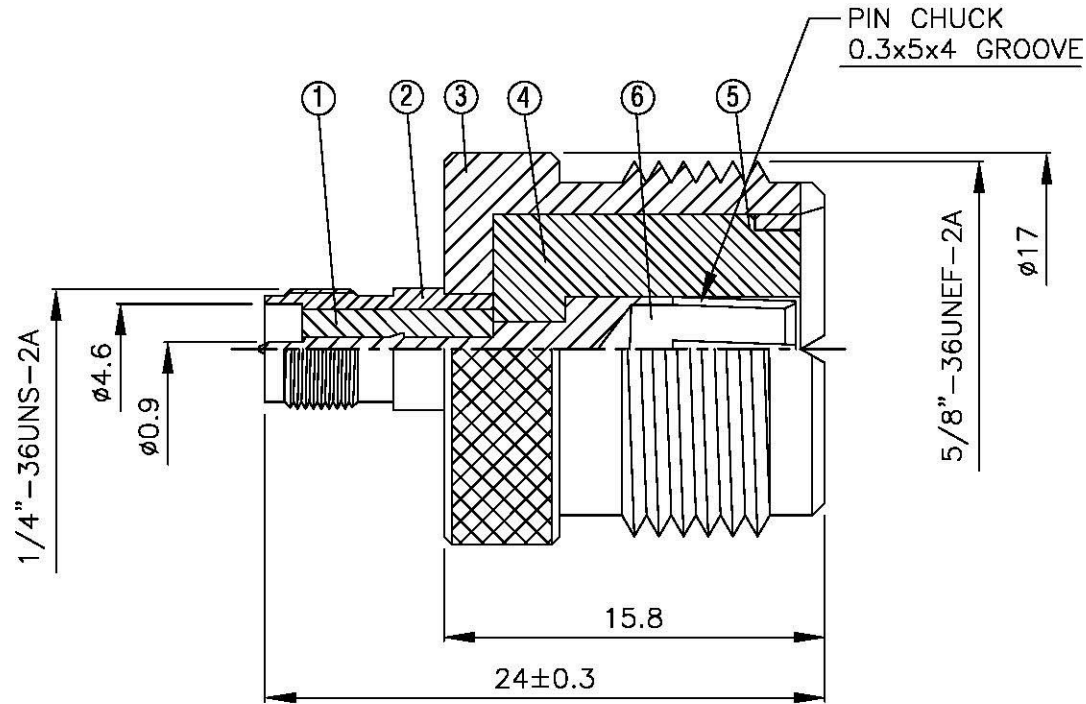
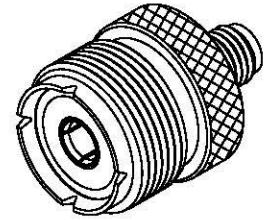


| NO | DESCRIPTION | MATERIAL | Q'TY | FINISH | REMARK |
|----|--------------|----------|------|--------|-------------|
| 1 | INSULATION 1 | TEFLON | 1 | TEFLON | I-0126T |
| 2 | BODY 1 | BRASS | 1 | NICKEL | B-SMA0065-N |
| 3 | BODY 2 | BRASS | 1 | NICKEL | B-UHF0682-N |
| 4 | INSULATION 2 | TEFLON | 1 | TEFLON | I-0328T |
| 5 | WASHER | BRASS | 1 | NICKEL | W-0058-N |
| 6 | PIN | BRASS | 1 | GOLD | P-UHF0461-G |



All Connectors

www.allconnectors.de
 info@allconnectors.de
 Tel.: 0049 711 7009800
 70794 Filberstadt - Germany
 Fax: 0049 711 7009804
 Kettnerstr. 25

TITLE SMA FEMALE-UHF FEMALE ADAPTOR
 (REVERSE POLARITY)

PART NO. SMA-39-TGN-RP

DRAWING NO. SMA 39 TGN-RP

DRAWN MARY DATE 96.06.27

CHECKED 蘇志欣 DATE

Q.A. 蘇姿潔 DATE

APPROVAL 徐燦霖 DATE

REVISION DATE

DIMENSIONS ARE IN MILLIMETERS

UNLESS OTHERWISE SPECIFIED TOLERANCE

| | |
|---------------|------------------|
| 0.5-5 = ±0.2 | 120-315 = ±1 |
| 5-30 = ±0.4 | 315-1000 = ±1.6 |
| 30-120 = ±0.6 | 1000-2000 = ±2.4 |

SCALE 4:1 SIZE A

REVISION

| DESCRIPTION | ENGINEER |
|-------------|----------|
| | |
| | |
| | |