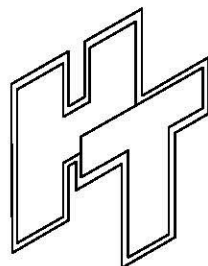
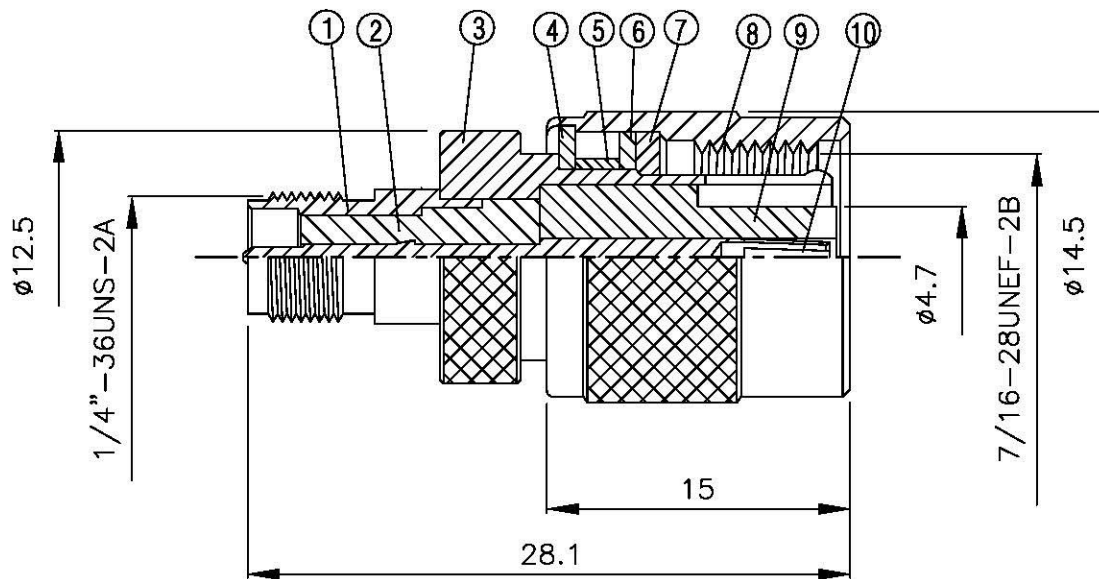
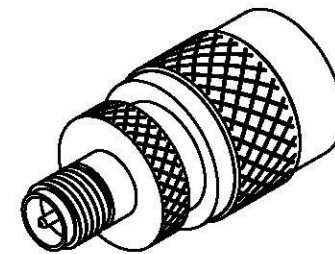


NO	DESCRIPTION	MATERIAL	Q'TY	FINISH	REMARK
1	BODY 1	BRASS	1	NICKEL	B-SMA0065-N
2	INSULATION 1	TEFLON	1	TEFLON	I-0160T
3	BODY2	BRASS	1	NICKEL	B-BNC0361-N
4	WASHER	BRASS	1	BRASS	W-0025-N
5	SPRING	BRASS	1	NICKEL	W-0024-N
6	WASHER	BRASS	1	NICKEL	W-0026-N
7	GASKET	SI RUBBER	1	RUBBER	RU-0010
8	BODY 3	BRASS	1	NICKEL	B-TNC0083-N
9	INSULATION 2	TEFLON	1	TEFLON	I-0248T
10	PIN	BRASS	1	GOLD	P-SMA0343-G



All Connectors
 www.allconnectors.de info@allconnectors.de
 Tel: +0049 711 7095312 Fax: +0049 711 7094504
 20051 Hildesheim - Germany Kettelerstr. 25

TITLE SMA FEMALE-TNC MALE ADAPTOR
 REVERSE POLARITY

PART NO. SMA-27-TGN-RP

DRAWING NO. SMA 27 TGN-RP

DRAWN	MARY	DATE	93.03.31
CHECKED	黄巧君	DATE	
Q.A.	蘇姿潔	DATE	
APPROVAL	徐燦霖	DATE	
REVISION		DATE	

DIMENSIONS ARE IN MILLIMETERS			
UNLESS OTHERWISE SPECIFIED TOLERANCE			
0.5-5=±0.2	120-315=±1		
5-30=±0.4	315-1000=±1.6		
30-120±0.6	1000-2000=±2.4		
SCALE	4:1	SIZE	A

REVISION	
DESCRIPTION	ENGINEER