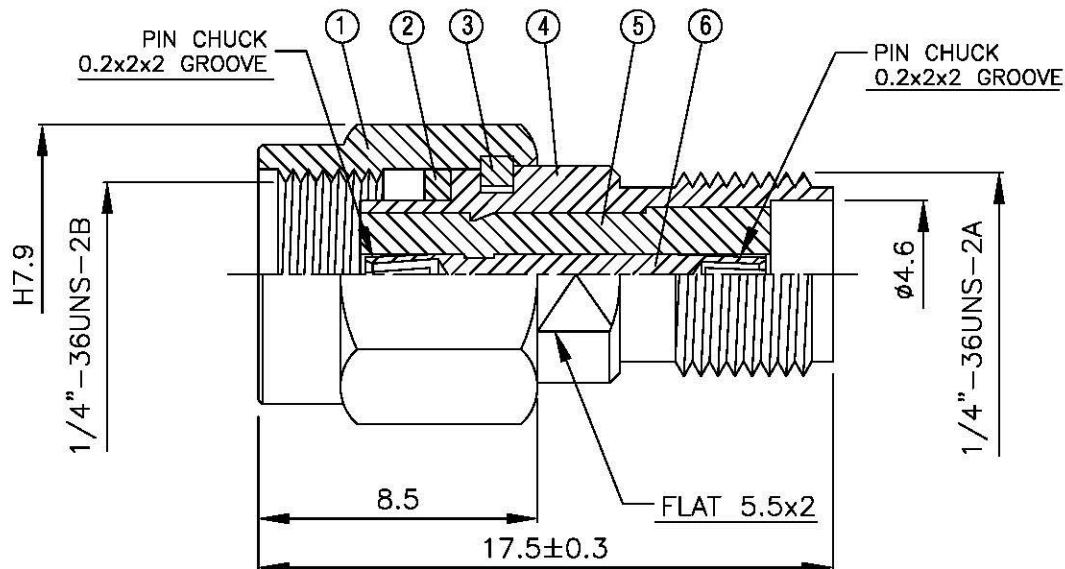
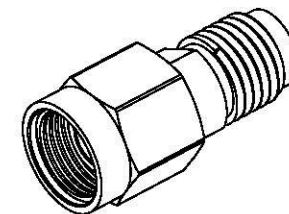
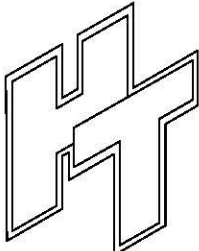



NO	DESCRIPTION	MATERIAL	Q'TY	FINISH	REMARK
1	SHELL	BRASS	1	NICKEL	B-SMA0043-N
2	GASKET	SI RUBBER	1	RUBBER	RU-0008
3	WASHER	PH. BRONZE	1	NICKEL	W-0012
4	BODY	BRASS	1	NICKEL	B-SMA0365-N
5	INSULATION	TEFLON	1	TEFLON	I-0139T
6	PIN	BE CU	1	GOLD	P-SMA0634-G



		DRAWN MARY DATE 90.01.22	DIMENSIONS ARE IN MILLIMETERS		REVISION		
	<small>www.allconnectors.com Tel: 0049 711 7005803 Zürcher Haldenstr. 25</small>	<small>info@allconnectors.com Tel: 0049 711 7005901 Kottbusstr. 25</small>	CHECKED 蘇姿潔 DATE	UNLESS OTHERWISE SPECIFIED TOLERANCE		DESCRIPTION	ENGINEER
	TITLE RP SMA MALE-SMA FEMALE ADAPTOR (REVERSE PLARITY)		Q.A. 馮健華 DATE	$0.5-5 = \pm 0.2$	$120-315 = \pm 1$		
	PART NO. SMA-16-TGN-RPV2		APPROVAL 徐燦霖 DATE	$5-30 = \pm 0.4$	$315-1000 = \pm 1.6$		
	DRAWING NO. SMA 16 TGN-RPV2		REVISION DATE	SCALE 4:1	SIZE A		