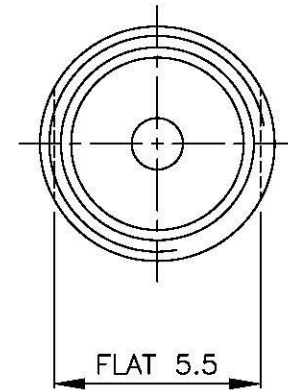
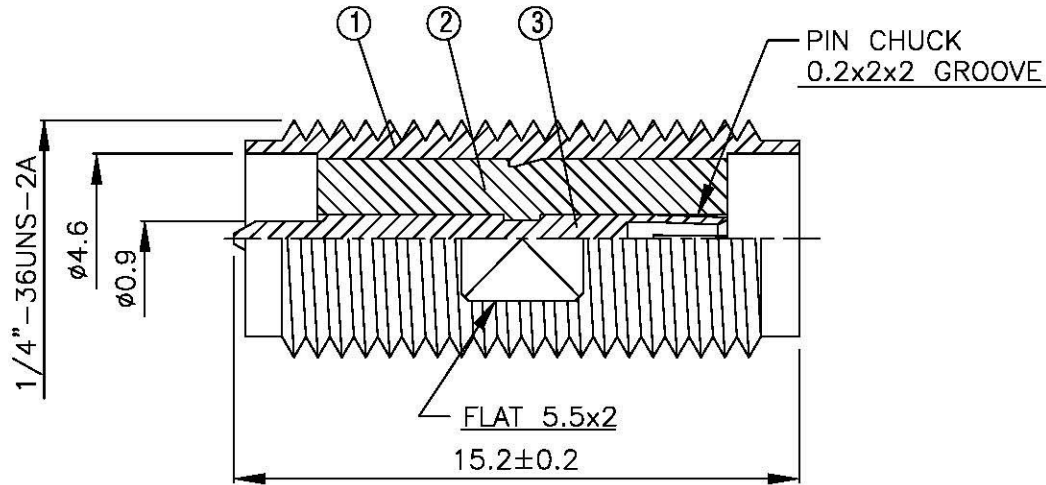
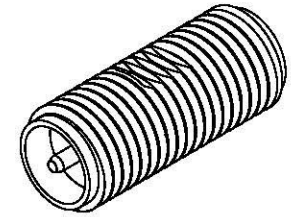
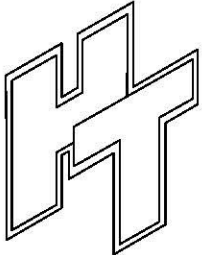



NO	DESCRIPTION	MATERIAL	Q'TY	FINISH	REMARK
1	BODY	BRASS	1	NICKEL	B-SMA0427-N
2	INSULATION	TEFLON	1	TEFLON	I-0202T
3	PIN	BE CU	1	GOLD	P-SMA0746-G



		DRAWN MARY DATE 90.01.22	DIMENSIONS ARE IN MILLIMETERS		REVISION		
	<small>www.allconnectors.de Tel: 0049 713 7002809 70734 Gilderichstr. - Germany</small>	<small>info@allconnectors.de Tel: 0049 713 7002801 Kulmbachstr. 25</small>	CHECKED 蘇姿潔 DATE	UNLESS OTHERWISE SPECIFIED TOLERANCE		DESCRIPTION	ENGINEER
	TITLE SMA FEMALE-FEMALE ADAPTOR REVERSE POLARITY		Q.A. 馮健華 DATE	0.5-5=±0.2    120-315=±1			
	PART NO. SMA-15-TGN-RP		APPROVAL 徐燦霖 DATE	5-30=±0.4    315-1000=±1.6			
	DRAWING NO. SMA-15-TGN-RP		REVISION DATE	30-120±0.6    1000-2000=±2.4	SCALE 4:1	SIZE A	