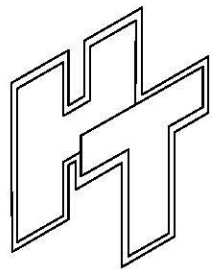
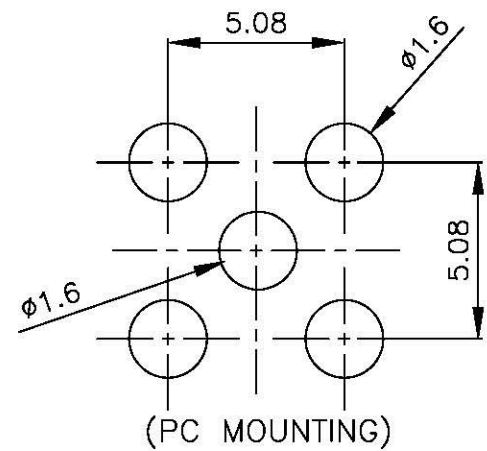
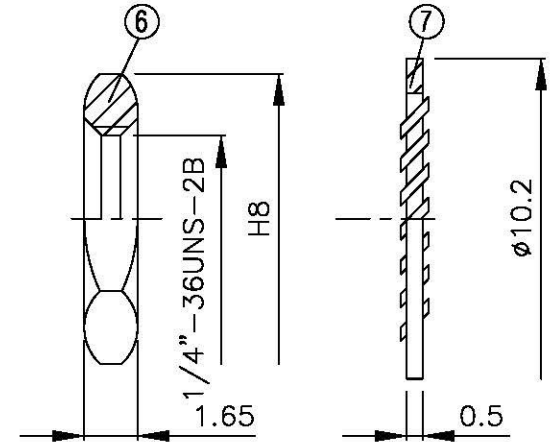
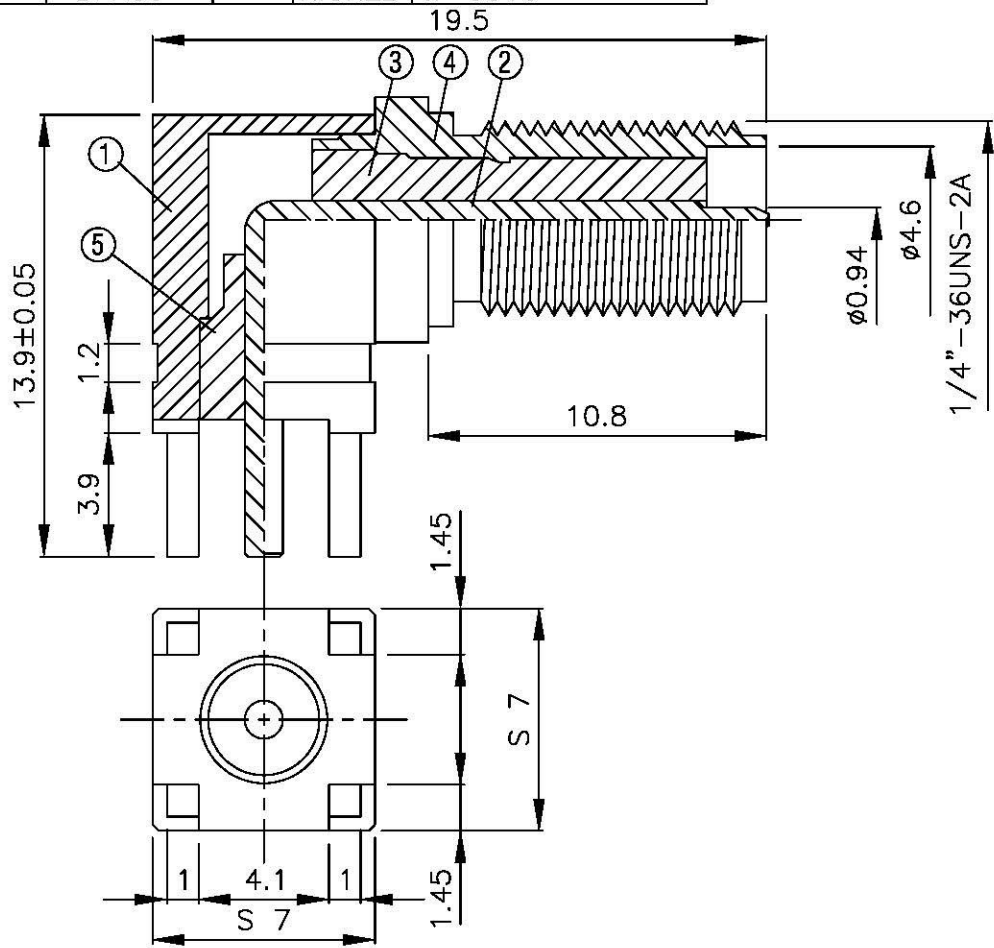
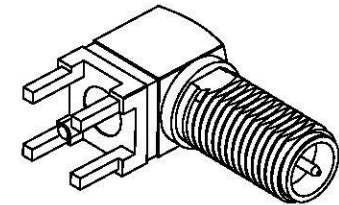


NO	DESCRIPTION	MATERIAL	QTY	FINISH	REMARK
1	BODY 1	BRASS	1	NICKEL	B-SMA0066-N
2	PIN	BRASS	1	GOLD	P-SMA0094-G
3	INSULATION 1	TEFLON	1	TEFLON	I-0198T
4	BODY 2	BRASS	1	NICKEL	B-SMA0145-N
5	INSULATION 2	TEFLON	1	TEFLON	I-0127T
6	NUT	BRASS	1	NICKEL	N-0006-N
7	WASHER	BRASS	1	NICKEL	W-0016



All Connectors
 www.allconnectors.de
 info@allconnectors.de
 Tel.: 0049 711 7005900
 Fax: 0049 711 7005904
 allconnectors@allconnectors.de

TITLE **SMA FEMALE PCB MOUNT REVERSE POLARITY**

PART NO. **SMA-11V5-TGN-RP**

DRAWING NO. **SMA 11V5 TGN RP**

DRAWN **MARY** DATE **96.03.28**

CHECKED **蘇姿潔** DATE

Q.A. **馮健華** DATE

APPROVAL **徐燦霖** DATE

REVISION DATE

DIMENSIONS ARE IN MILLIMETERS

UNLESS OTHERWISE SPECIFIED TOLERANCE

0.5-5=±0.2	120-315=±1
5-30=±0.4	315-1000=±1.6
30-120±0.6	1000-2000=±2.4

SCALE **4:1** SIZE **A**

REVISION	
DESCRIPTION	ENGINEER