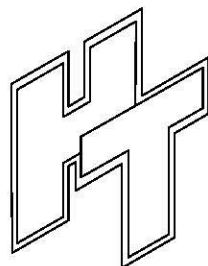
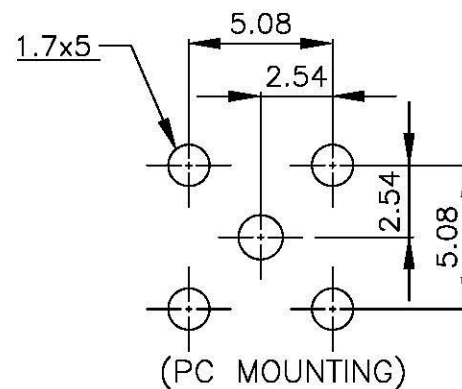
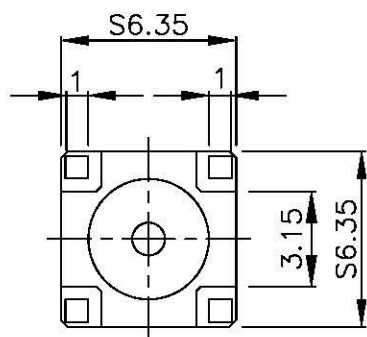
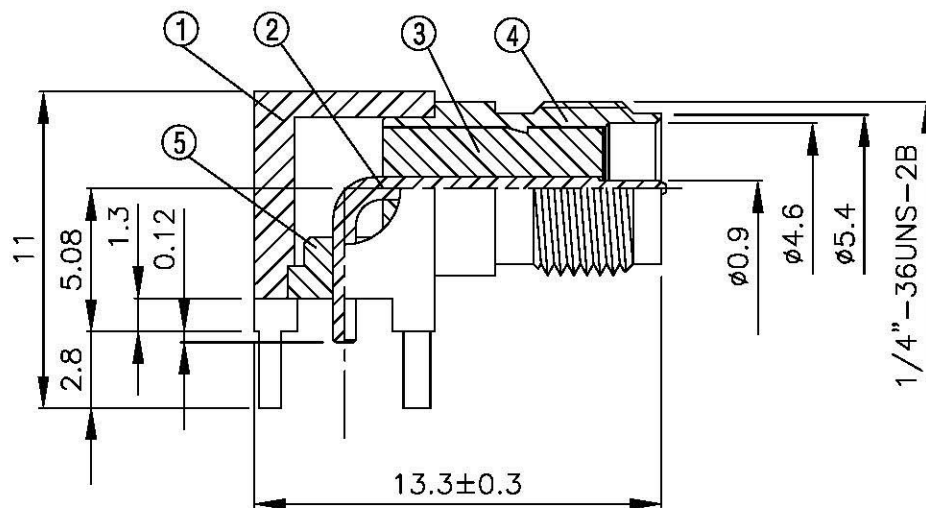
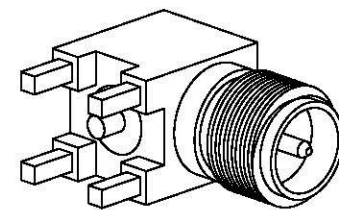


NO	DESCRIPTION	MATERIAL	Q'TY	FINISH	REMARK
1	BODY	BRASS	1	NICKEL	B-SMA0572-G
2	PIN	BRASS	1	GOLD	P-SMA0373-G
3	INSULATION	TEFLON	1	TEFLON	I-0207T
4	BODY	BRASS	1	NICKEL	B-SMA0573-G
5	INSULATION	TEFLON	1	TEFLON	I-0094T



All Connectors

www.allconnectors.de
Tel: 0049 711 7009503
79784 Hildersstadt, Germany

info@allconnectors.de
Tel: 0049 711 7009504
Kettelerstr. 27

TITLE SMA FEMALE RIGHT ANGLE
PCB MOUNT (REVERSE POLARITY)

PART NO. SMA-11V10-TGN-RP

DRAWING NO. SMA 11V10 TGN-RP

DRAWN MARY

DATE 96.03.30

CHECKED 蘇姿潔

DATE

Q.A. 馮健華

DATE

APPROVAL 徐燦霖

DATE

REVISION

DATE

DIMENSIONS ARE IN MILLIMETERS

UNLESS OTHERWISE SPECIFIED
TOLERANCE

0.5-5=±0.2 120-315=±1

5-30=±0.4 315-1000=±1.6

30-120±0.6 1000-2000=±2.4

SCALE 4:1 SIZE A

REVISION

DESCRIPTION

ENGINEER