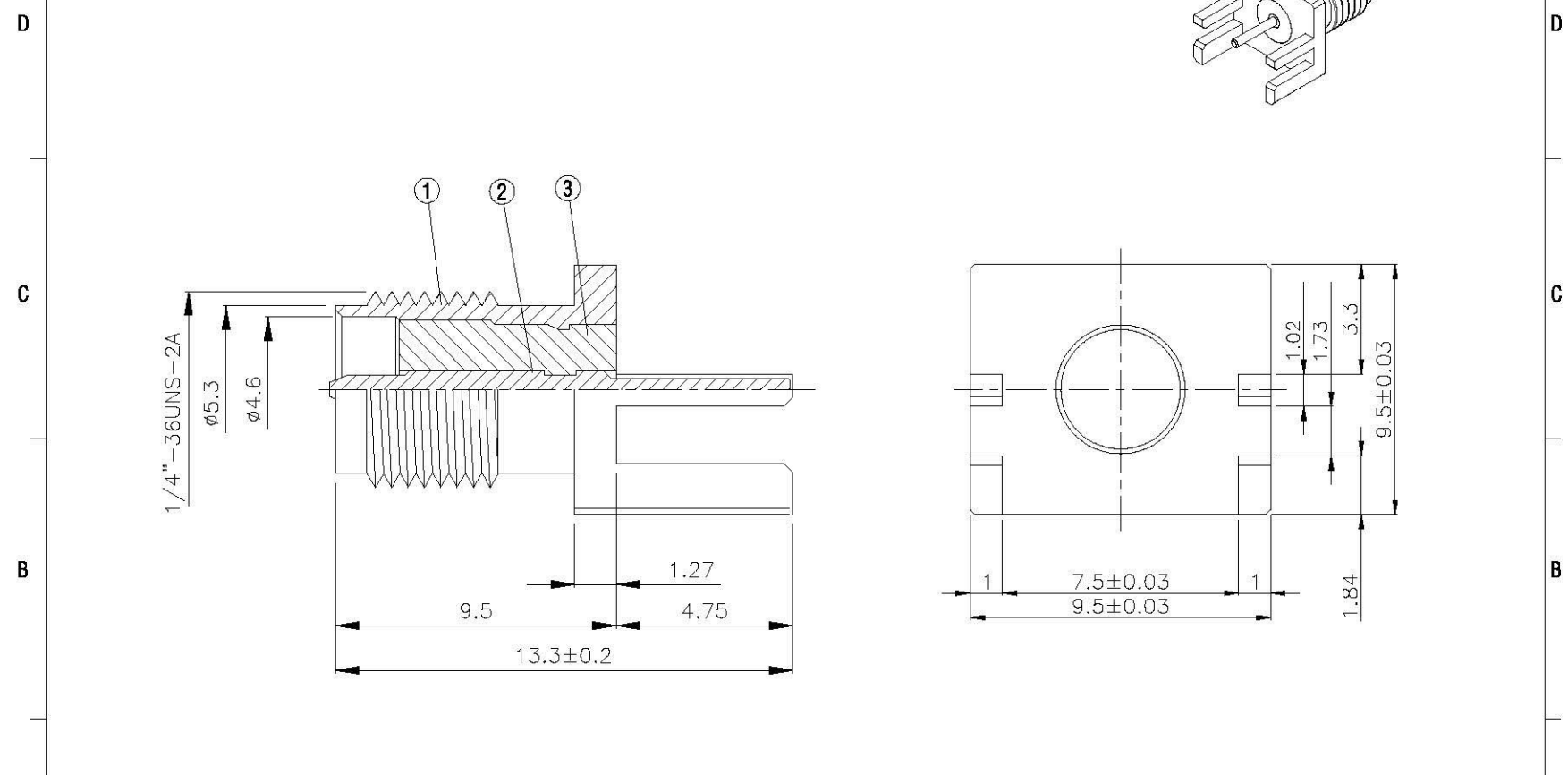
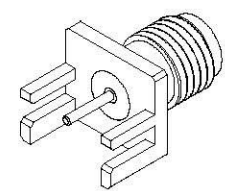
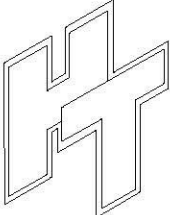



NO	DESCRIPTION	MATERIAL	Q'TY	FINISH	REMARK
1	BODY	BRASS	1	NICKEL	B-SMA0159-N
2	PIN	BRASS	1	GOLD	P-SMA0106-G
3	INSULATION	TEFLON	1	TEFLON	I-0106T



		DRAWN	MARY	DATE	96.06.27	DIMENSIONS ARE IN MILLIMETERS		REVISION			
	<small>www.allconnectors.de Tel: 0049 711 400902 70734 Fellsmoos Germany</small>	CHECKED	蘇志欣	DATE						UNLESS OTHERWISE SPECIFIED TOLERANCE	
	<small>Info@allconnectors.de Tel: 0049 711 400904 Kette Wegstr. 25</small>	Q.A.	蘇姿潔	DATE		0.5-5=±0.2	120-315=±1				
	TITLE	SMA FEMALE END LAUNCH REVERSE POLARITY (1.1)		APPROVAL	徐燦霖	DATE		5-30=±0.4	315-1000=±1.6		
	PART NO.	SMA-10V5-TGN-RP		REVISION		DATE		30-120±0.6	1000-2000=±2.4		
DRAWING NO.	SMA 10V5 TGN RP					SCALE	4:1	SIZE	A		