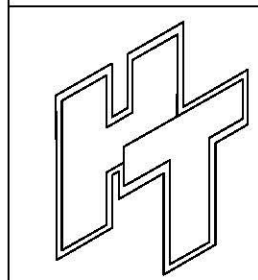
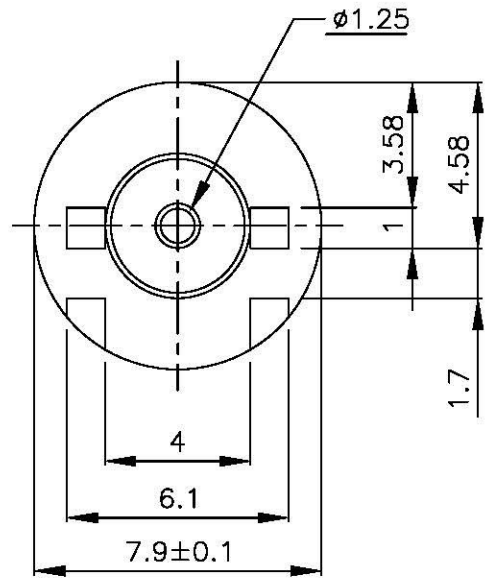
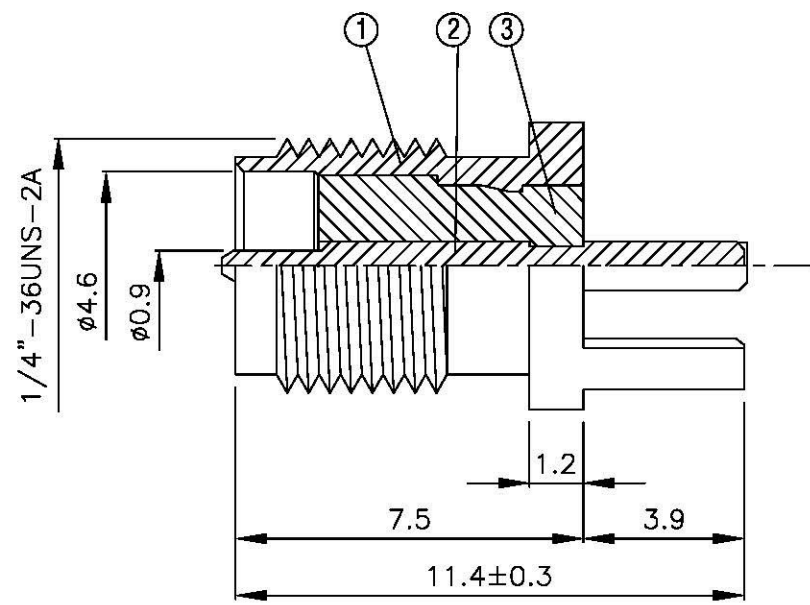
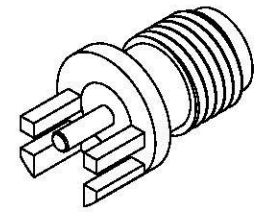


NO	DESCRIPTION	MATERIAL	Q'TY	FINISH	REMARK
1	BODY	BRASS	1	GOLD	B-SMA0633-N
2	PIN	BRASS	1	GOLD	P-SMA0206-G
3	INSULATION	TEFLON	1	TEFLON	I-0162T



All Connectors
 www.allconnectors.de info@allconnectors.de
 41113 Datteln, Germany 41113 Datteln, Germany
 49 296 110 00000 49 296 110 00000
 49 296 110 00000 49 296 110 00000

TITLE SMA FEMALE END LAUNCH
 REVERSE POLARITY FOR NA11

PART NO. SMA-10V29-TGN-RP

DRAWING NO. SMA 10V29 TGN RP

DRAWN MARY DATE 90.11.20

CHECKED 蘇姿潔 DATE

Q.A. 馮健華 DATE

APPROVAL 徐燦霖 DATE

REVISION DATE

DIMENSIONS ARE IN MILLIMETERS

UNLESS OTHERWISE SPECIFIED TOLERANCE

0.5-5=±0.2 120-315=±1

5-30=±0.4 315-1000=±1.6

30-120±0.6 1000-2000=±2.4

SCALE 4:1 SIZE A

REVISION	
DESCRIPTION	ENGINEER