

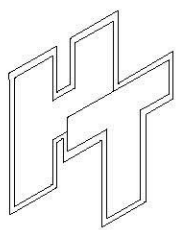
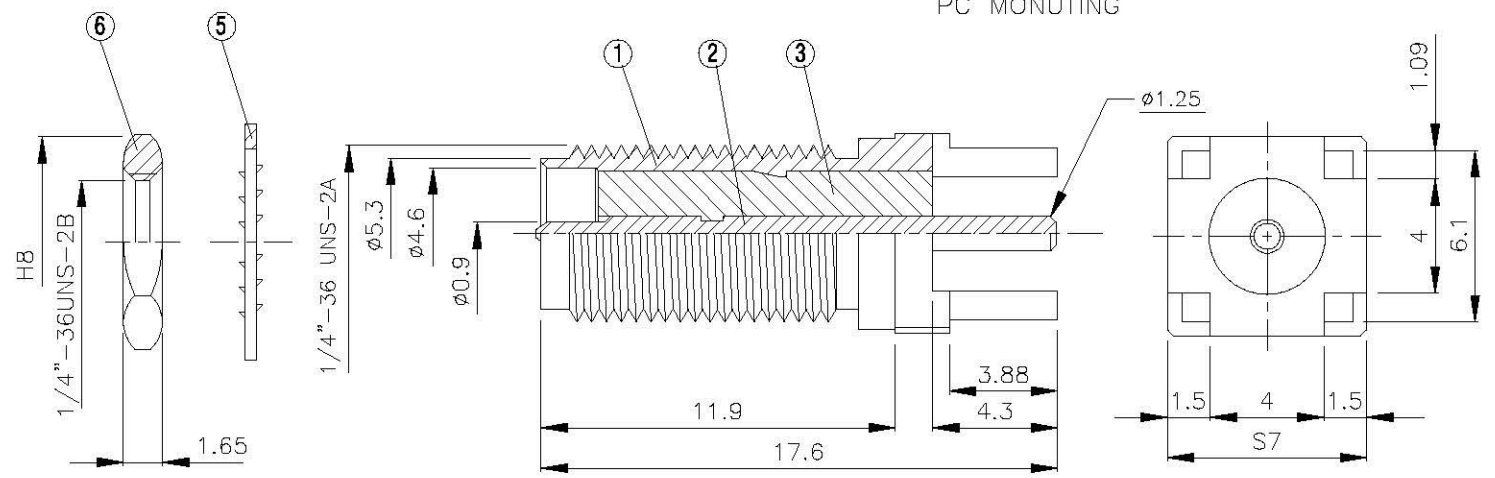
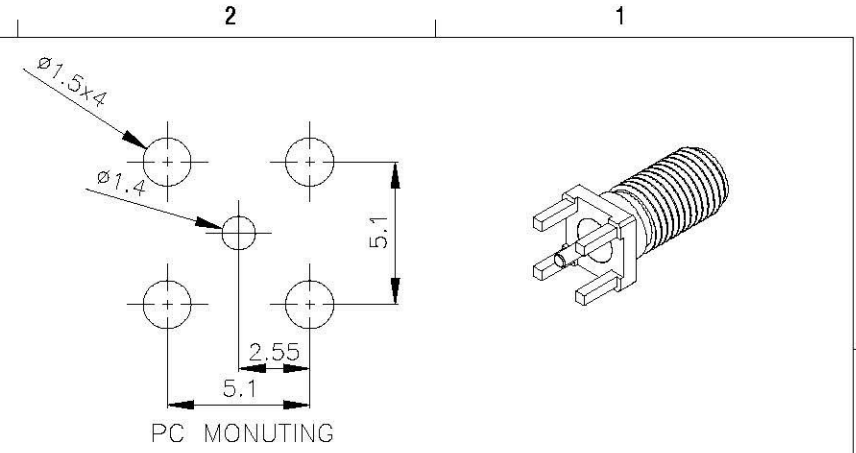
NO	DESCRIPTION	MATERIAL	Q'TY	FINISH	REMARK
1	BODY	BRASS	1	NICKEL	B-SMA0314-N
2	PIN	BRASS	1	GOLD	P-SMA0190-G
3	INSULATION	TEFLON	1	TEFLON	I-0149T
4	WASHER	BRASS	1	NICKEL	W-0016-N
5	NUT	BRASS	1	NICKEL	N-0006-N

D

C

B

A



All Connectors
 www.allconnectors.com
 TEL: 0048 714 700008
 200% FULLY INSURED - GUARANTEED

Info@allconnectors.com
 TEL: 0048 714 700004
 200% FULLY INSURED - GUARANTEED

TITLE SMA FEMALE PCB MOUNT REVERSE POLARITY

PART NO. SMA-10V23-TGN-RP

DRAWING NO. SMA 10V23 TGN RP

DRAWN	MARY	DATE	96.06.27
CHECKED	蘇志欣	DATE	97.07.02
Q.A.	蘇姿潔	DATE	
APPROVAL	徐慶霖	DATE	
REVISION		DATE	

DIMENSIONS ARE IN MILLIMETERS			
UNLESS OTHERWISE SPECIFIED TOLERANCE			
0.5-5=±0.2	120-315=±1		
5-30=±0.4	315-1000=±1.6		
30-120=±0.6	1000-2000=±2.4		
SCALE	4:1	SIZE	A

REVISION	
DESCRIPTION	ENGINEER

4

3

2

1