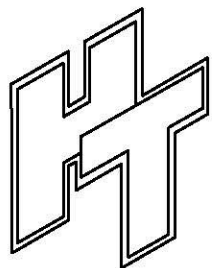
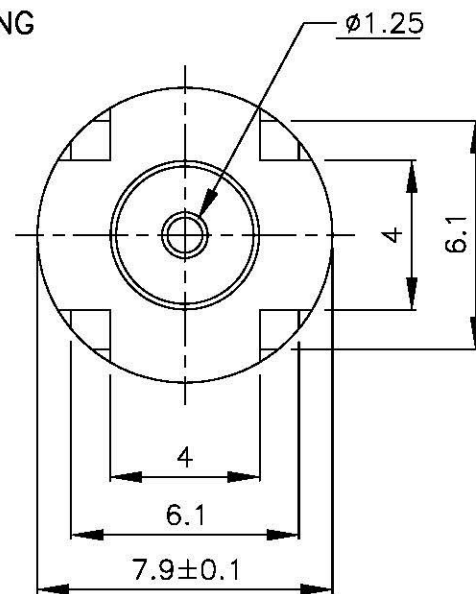
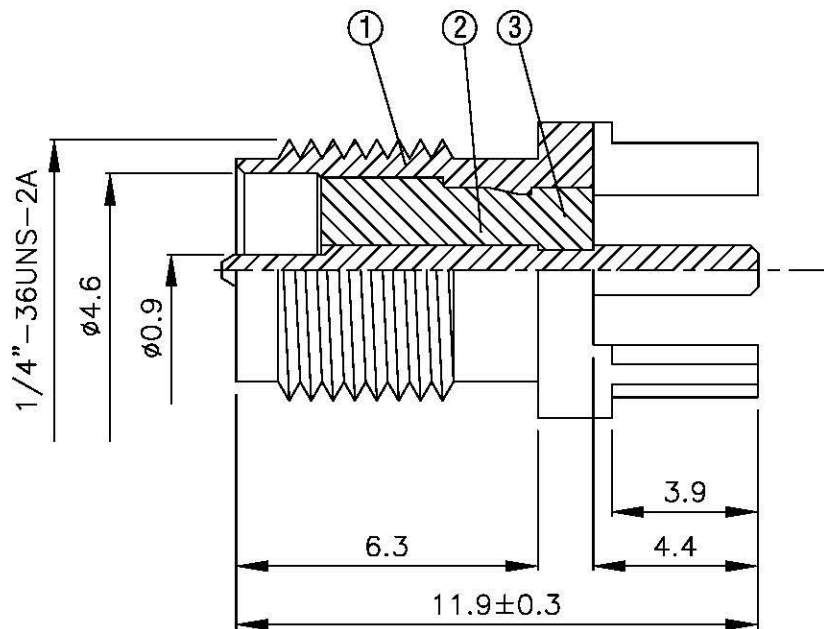
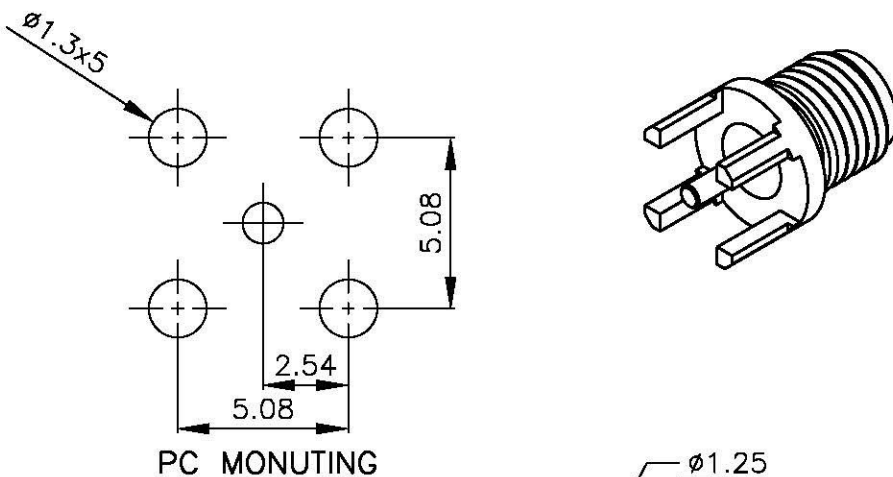


NO	DESCRIPTION	MATERIAL	Q'TY	FINISH	REMARK
1	BODY	BRASS	1	GOLD	B-SMA0330-G
2	PIN	BRASS	1	GOLD	P-SMA0216-G
3	INSULATION	TEFLON	1	TEFLON	I-0162T



**All Connectors**

www.allconnectors.de  
Tel: +0049 711 7002503  
info@allconnectors.de  
Fax: +049 711 7002504  
Königsplatz 20

TITLE SMA FEMALE PCB MOUNT  
REVERSE POLARITY

PART NO. SMA-10V22-TGG-RP

DRAWING NO. SMA 10V22 TGG-RP

DRAWN	MARY	DATE	96.03.31
CHECKED	黄巧君	DATE	
Q.A.	蘇姿潔	DATE	
APPROVAL	徐燦霖	DATE	
REVISION		DATE	

DIMENSIONS ARE IN MILLIMETERS			
UNLESS OTHERWISE SPECIFIED TOLERANCE			
0.5-5=±0.2	120-315=±1		
5-30=±0.4	315-1000=±1.6		
30-120±0.6	1000-2000=±2.4		
SCALE	4:1	SIZE	A

REVISION	
DESCRIPTION	ENGINEER