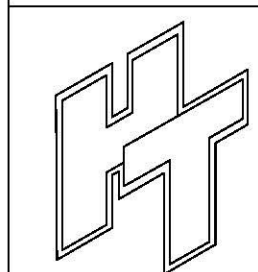
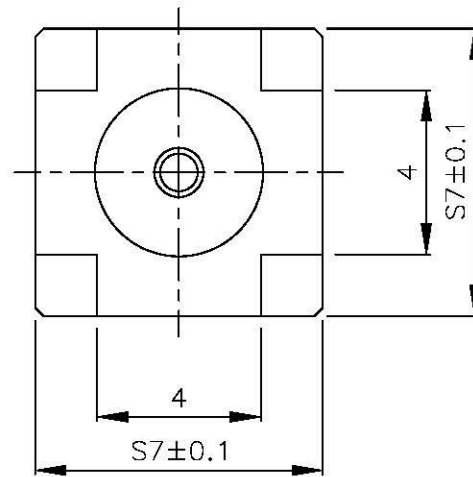
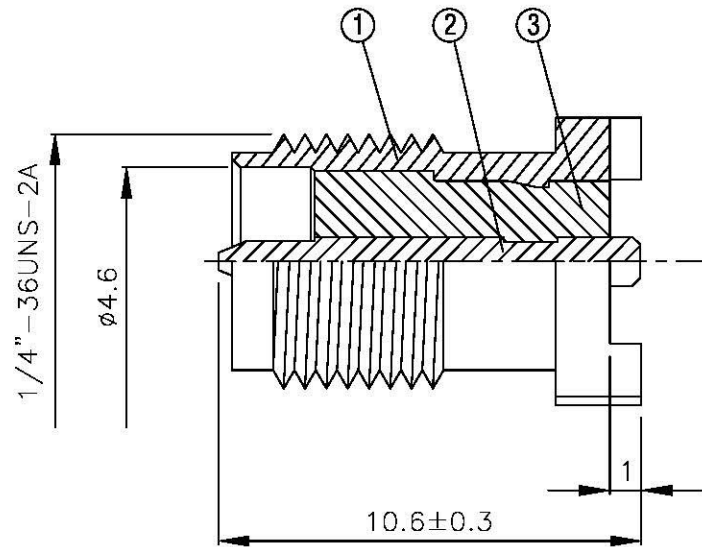
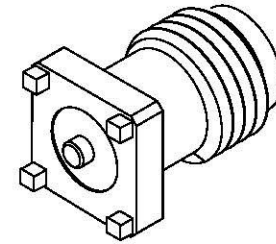
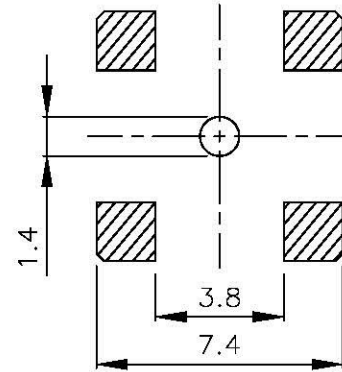


NO	DESCRIPTION	MATERIAL	Q'TY	FINISH	REMARK
1	BODY	BRASS	1	GOLD	B-SMA0329-G
2	PIN	BRASS	1	GOLD	P-SMA0744-G
3	INSULATION	TEFLON	1	TEFLON	I-0106T

(Recommended Soldering Dimension)



**All Connectors**  
 www.allconnectors.de  
 info@allconnectors.de  
 Tel: 0049 733 7007502  
 70734 Pfilfersbach, Germany  
 Fax: 0049 733 7007504  
 Kettwegstr. 25

**TITLE** SMA FEMALE PCB MOUNT  
REVERSE POLARITY

**PART NO.** SMA-10V21-TGG-RP

**DRAWING NO.** SMA-10V21-TGG-RP

**DRAWN** MARY **DATE** 96.03.31

**CHECKED** 蘇姿潔 **DATE**

**Q.A.** 馮健華 **DATE**

**APPROVAL** 徐燦霖 **DATE**

**REVISION** **DATE**

**DIMENSIONS ARE IN MILLIMETERS**

**UNLESS OTHERWISE SPECIFIED TOLERANCE**

0.5-5=±0.2	120-315=±1
5-30=±0.4	315-1000=±1.6
30-120=±0.6	1000-2000=±2.4

**SCALE** 4:1 **SIZE** A

REVISION	
DESCRIPTION	ENGINEER