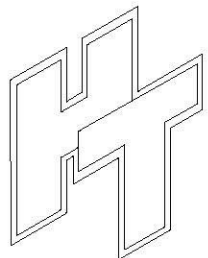
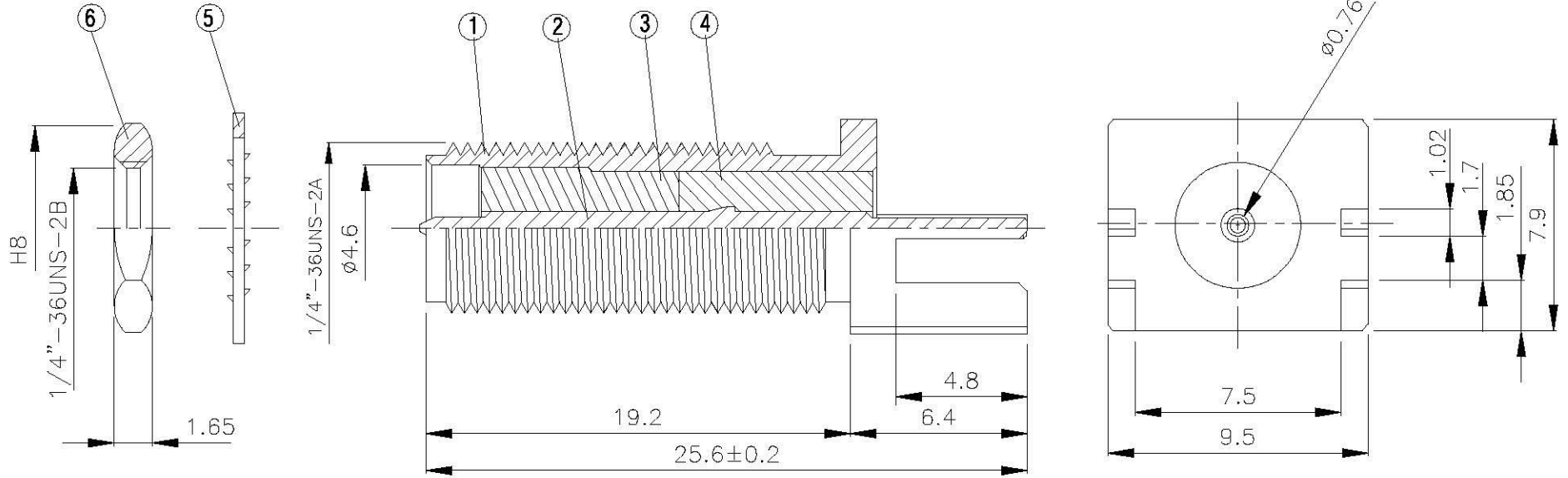
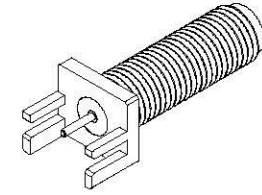


NO	DESCRIPTION	MATERIAL	Q'TY	FINISH	REMARK
1	BODY	BRASS	1	NICKEL	B-SMA0618-N
2	PIN	BE CU	1	GOLD	P-SMA0469-G
3	INSULATION 1	TEFLON	1	TEFLON	I-0289T
4	INSULATION 2	TEFLON	1	TEFLON	I-0318T
5	WASHER	BRASS	1	NICKEL	W-0016-N
6	NUT	BRASS	1	NICKEL	N-0006-N



All Connectors

www.allconnectors.de
 info@allconnectors.de
 20794 Fflessen, Germany

**TITLE SMA FEMALE END LAUNCH
 REVERSE POLARITY (1.6)**

PART NO. SMA-10V14-TGN-RP

DRAWING NO. SMA 10V14 TGN-RP

DRAWN MARY DATE 90.11.21

CHECKED 蘇姿潔 DATE

Q.A. 張育誌 DATE

APPROVAL 馮健華 DATE

REVISION DATE

DIMENSIONS ARE IN MILLIMETERS

**UNLESS OTHERWISE SPECIFIED
 TOLERANCE**

0.5-5=±0.2 120-315=±1

5-30=±0.4 315-1000=±1.6

30-120±0.6 1000-2000=±2.4

SCALE 4:1 SIZE A

REVISION

DESCRIPTION ENGINEER

A

A

4

3

2

1