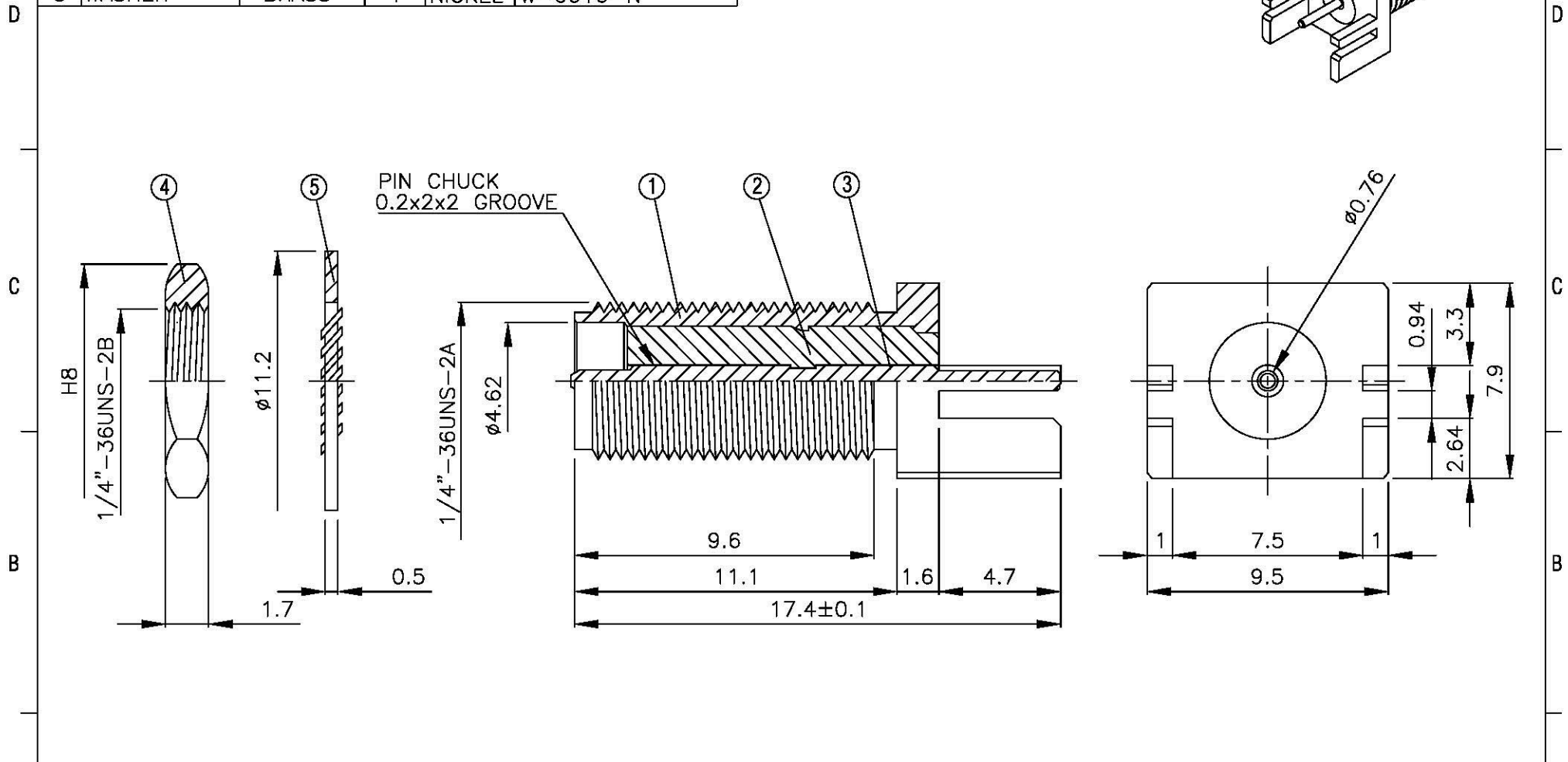
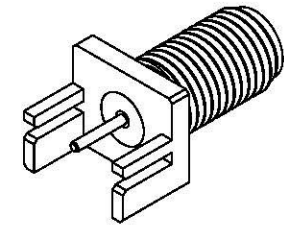


NO	DESCRIPTION	MATERIAL	Q'TY	FINISH	REMARK
1	BODY	BRASS	1	NICKEL	B-SMA0493-N
2	INSULATION	TEFLON	1	TEFLON	I-0016T
3	PIN	BRASS	1	GOLD	P-SMA0333-G
4	NUT	BRASS	1	NICKEL	N-0006-N
5	WASHER	BRASS	1	NICKEL	W-0016-N



		DRAWN MARY DATE 90.09.30	DIMENSIONS ARE IN MILLIMETERS		REVISION		
	<small>www.allconnectors.de E-MAIL: BOKW@ITB.AIRBUS.COM 70754 Filzschmitt, Germany</small>	<small>info@allconnectors.de TEL: 0049 7141 400000 Kontaktcenter, DE</small>	CHECKED 黃巧君 DATE 90.09.30	UNLESS OTHERWISE SPECIFIED TOLERANCE		DESCRIPTION	ENGINEER
	TITLE SMA FEMALE END LAUNCH REVERSE POLARITY		Q.A. 蘇姿潔 DATE	0.5-5=±0.2	120-315=±1		
	PART NO. SMA-10V13-TGN-RP		APPROVAL 徐燦霖 DATE	5-30=±0.4	315-1000=±1.6		
	DRAWING NO. SMA-10V13-TGN-RP		REVISION DATE	30-120±0.6	1000-2000=±2.4		
			SCALE 4:1	SIZE A			