

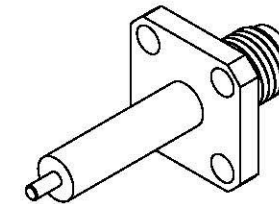
4

3

2

1

NO	DESCRIPTION	MATERIAL	Q'TY	FINISH	REMARK
1	BODY	BRASS	1	GOLD	B-SMA0037-G
2	INSULATION	TEFLON	1	TEFLON	I-0109T
3	PIN	BE CU	1	GOLD	



D

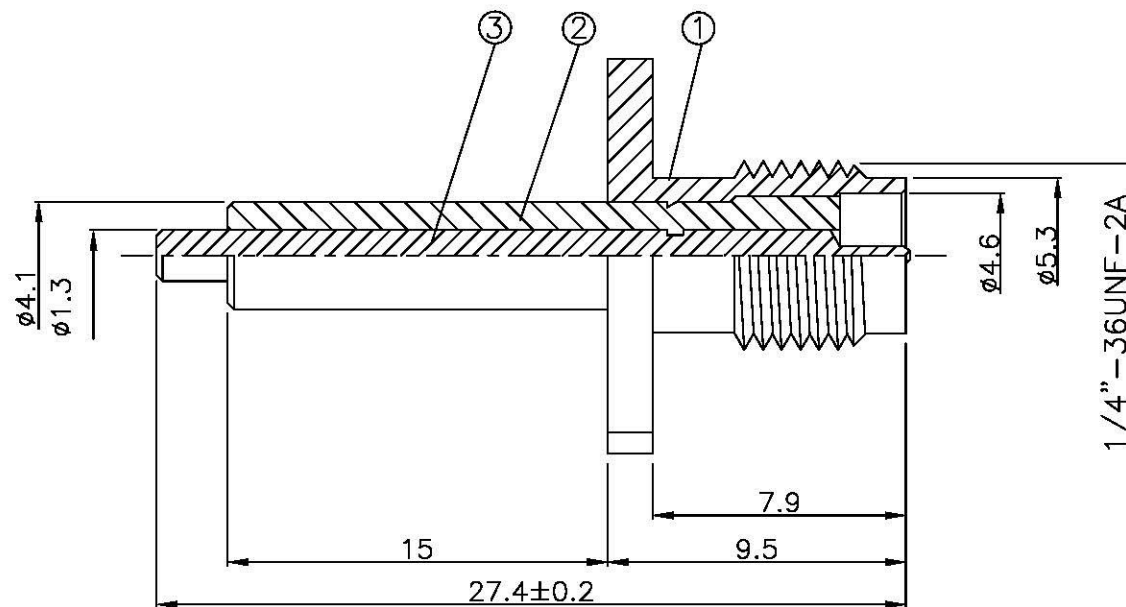
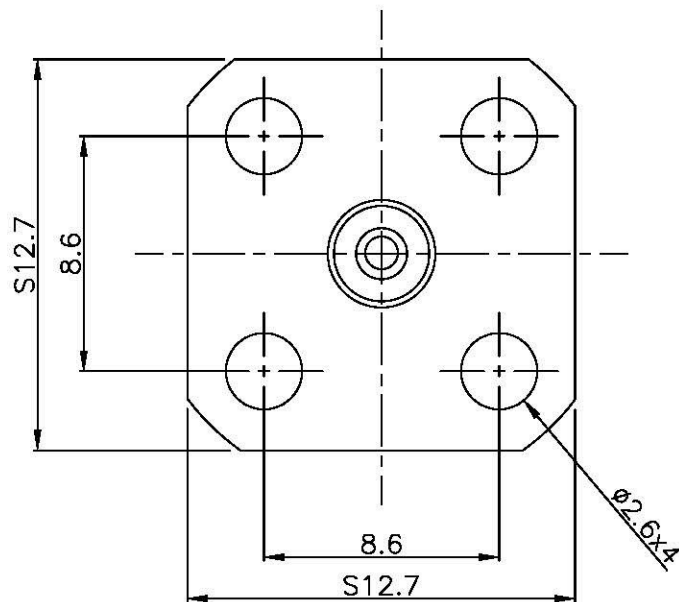
D

C

C

B

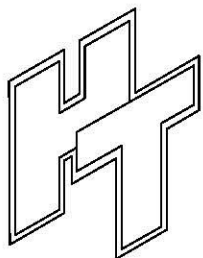
B



REVERSE POLARITY

A

A


**All Connectors**

www.allconnectors.de  
Tel.: 0049 211 7009503  
70794 Illerstadt - Germany

info@allconnectors.de  
Fax: 0049 211 7009504  
Kettnerstr. 25

TITLE SMA FEMALE PANEL RECEPTACLE  
REVERSE POLARITY

PART NO. SMA-07V10-TGG-RP

DRAWING NO. SMA 07V10 TGG RP

DRAWN MARY DATE 96.06.26

CHECKED 蘇志欣 DATE

Q.A. 蘇姿潔 DATE

APPROVAL 徐燦霖 DATE

REVISION DATE

DIMENSIONS ARE IN MILLMETER

UNLESS OTHERWISE SPECIFIED  
TOLERANCES

0.5-5=±0.2 120-315=±1

5-30=±0.4 315-1000=±1.6

30-120=±0.6 1000-2000=±2.4

SCALE 5:1 SIZE A

REVISION

DESCRIPTION ENGINEER

4

3

2

1