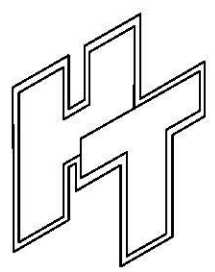
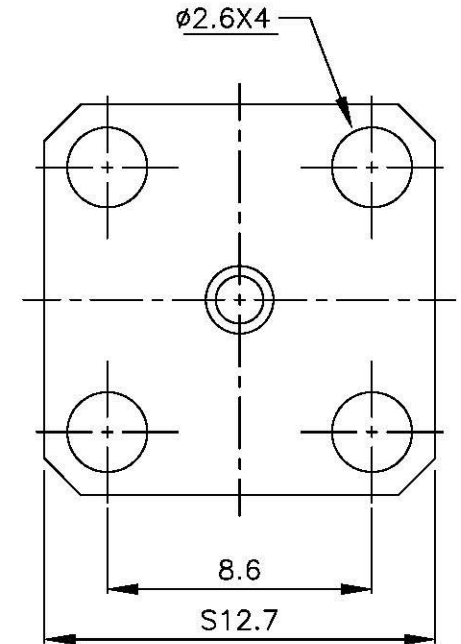
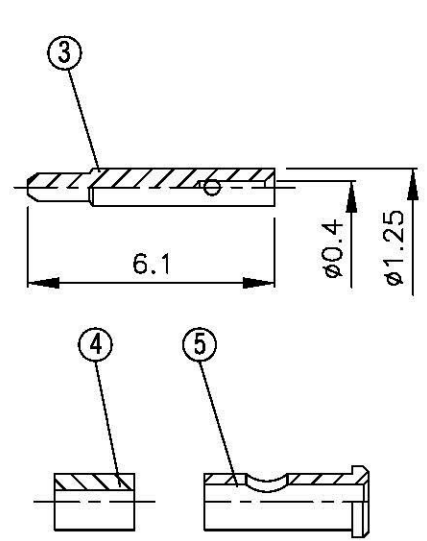
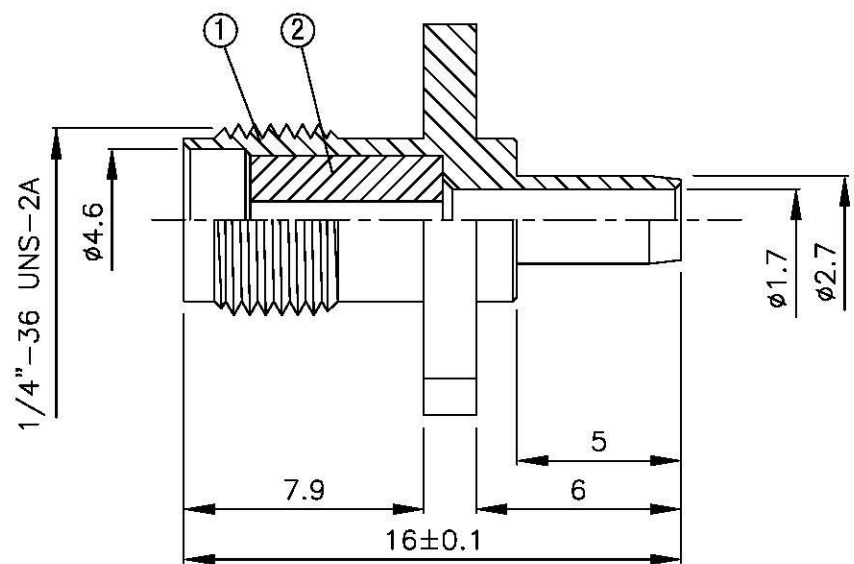
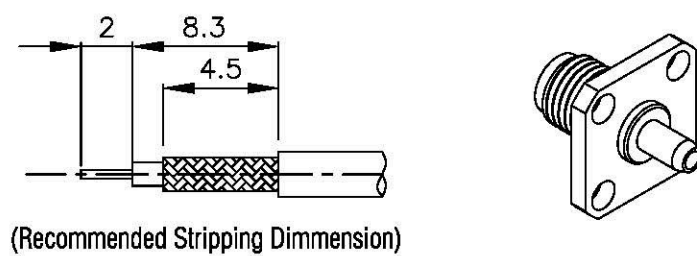


NO	DESCRIPTION	MATERIAL	Q'TY	FINISH	REMARK
1	BODY	BRASS	1	NICKEL	B-SMA0536-N
2	INSULATION	TEFLON	1	TEFLON	I-0115T
3	PIN	BE CU	1	GOLD	P-SMA0120-G
4	INSULATION	TEFLON	1	TEFLON	II-0256T
5	BODY	BRASS	1	NICKEL	B-SMA0473-N



**All Connectors**  
 www.allconnectors.com  
 Tel.: 0049 711 7009502  
 70794 Filzborn, Germany

mailto:allconnectors@allconnectors.com  
 Fax: 0049 711 7009504  
 kettenstr. 25

**TITLE** SMA FEMALE PANEL CRIMP FOR RG-179/U REVERSE POLARITY  
**PART NO.** SMA-07M-TGN-RP  
**DRAWING NO.** SMA 07M TGN RP

**DRAWN** MARY  
**CHECKED** 蘇志欣  
**Q.A.** 蘇姿潔  
**APPROVAL** 徐燦霖  
**REVISION**

**DATE** 96.06.26  
**DATE**  
**DATE**  
**DATE**

**DIMENSIONS ARE IN MILLIMETERS**

**UNLESS OTHERWISE SPECIFIED TOLERANCE**

0.5-5=±0.2	120-315=±1
5-30=±0.4	315-1000=±1.6
30-120±0.6	1000-2000=±2.4

**SCALE** 4:1    **SIZE** A

**REVISION**

DESCRIPTION	ENGINEER