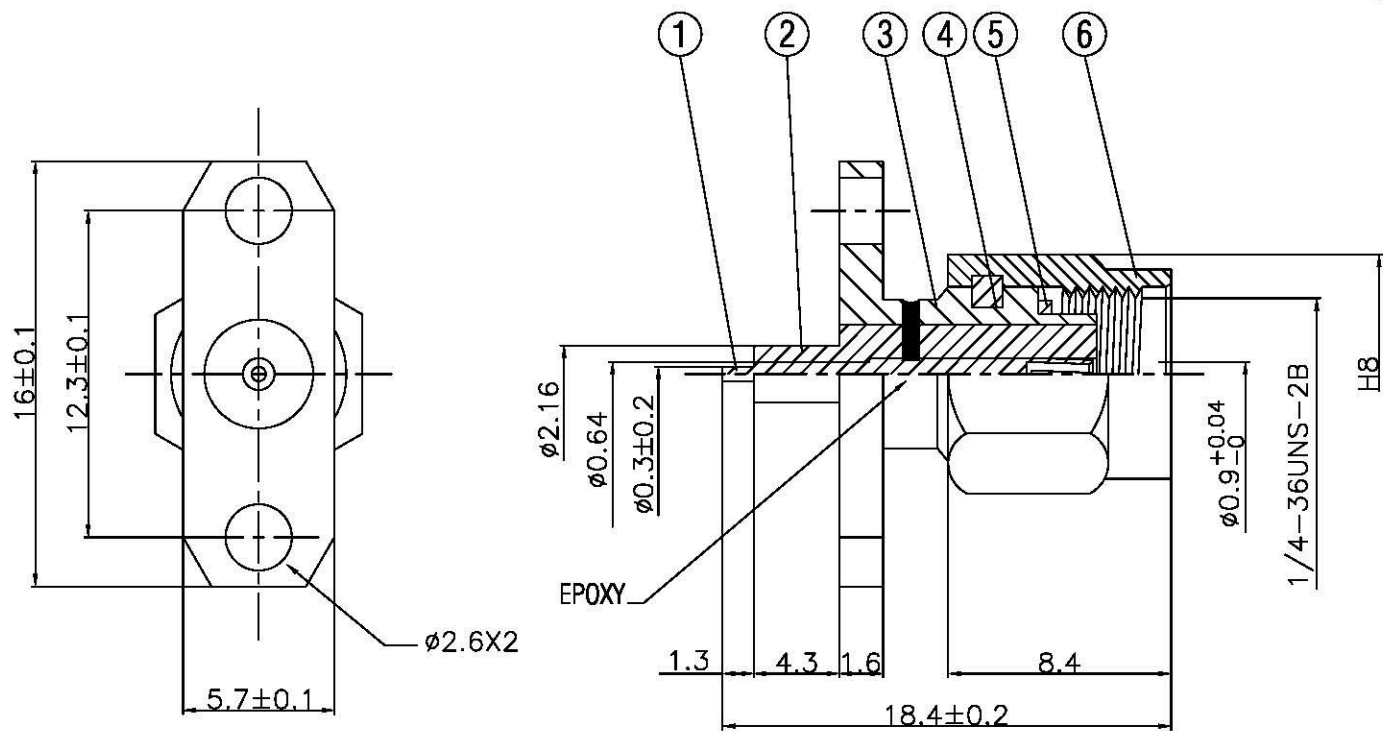
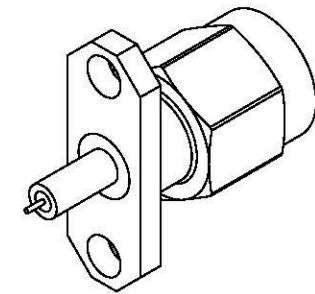
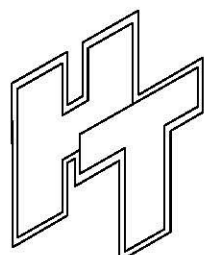


NO	DESCRIPTION	MATERIAL	Q'TY	FINISH	REMARK
1	PIN	BRASS	1	GOLD	
2	INSULATION	TEFLON	1	TEFLON	I-0512T
3	BODY	BRASS	1	MIRALLOY	B-SMA1062-M
4	WASHER	PH. BRONZE	1	PH. BRONZE	W-0012
5	GASKET	SI RUBBER	1	RUBBER	RU-0008
6	BODY	BRASS	1	MIRALLOY	B-SMA0043-M



	<b>Allconnectors</b> <small>www.allconnectors.de    info@allconnectors.de  Tel: 0049 711 7005003    Fax: 0049 711 7009004  70794ilderstadt - Germany    Kettenstr. 25</small>	<b>DRAWN</b> MARY <b>DATE</b> 96.06.27	<b>DIMENSIONS ARE IN MILLIMETERS</b>		<b>REVISION</b>		
	<b>TITLE</b> SMA FEMALE PC MOUNT EPOXY CAPTIVATED FOR SMRC(14-0934PM) REVERSE POLARITY	<b>CHECKED</b> 蘇志欣	<b>DATE</b>	<b>UNLESS OTHERWISE SPECIFIED TOLERANCE</b>		<b>DESCRIPTION</b>	<b>ENGINEER</b>
	<b>Q.A.</b> 蘇姿潔	<b>DATE</b>	$0.5-5 = \pm 0.2$	$120-315 = \pm 1$			
	<b>APPROVAL</b> 徐燦霖	<b>DATE</b>	$5-30 = \pm 0.4$	$315-1000 = \pm 1.6$			
	<b>REVISION</b>	<b>DATE</b>	$30-120 = \pm 0.6$	$1000-2000 = \pm 2.4$			
<b>PART NO.</b> SMA-06V8-TGM-RP		<b>SCALE</b> 4:1	<b>SIZE</b> A				
<b>DRAWING NO.</b> SMA-06V8-TGM-RP							