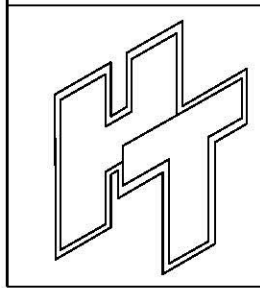
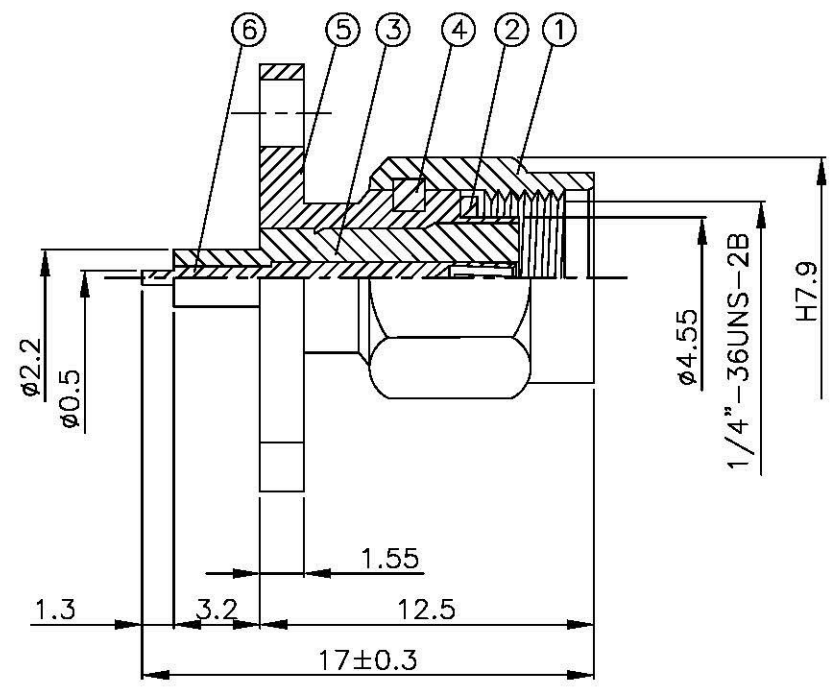
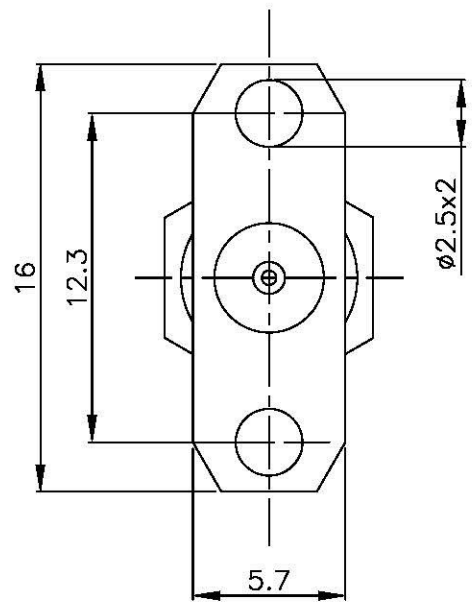
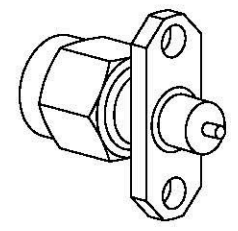


NO	DESCRIPTION	MATERIAL	Q'TY	FINISH	REMARK
1	BODY	BRASS	1	NICKEL	B-SMA0043-N
2	GASKET	SI RUBBER	1	RUBBER	RU-0008
3	INSULATION	TEFLON	1	TEFLON	I-0134T
4	WASHER	PH. BRONZE	1	NICKEL	W-0012
5	BODY	BRASS	1	NICKEL	B-SMA0094-N
6	PIN	BE CU	1	GOLD	P-SMA0539-G



All Connectors
 www.allconnectors.de
 Tel: 0049 733 700009
 20794 Ellersrodt, Germany
 info@allconnectors.de
 Fax: 0049 733 700004
 gettel@connectors.de

**TITLE SMA FEMALE PANEL RECEPTACLE
 REVERSE POLARITY**

PART NO. SMA-06V6-TGN-RP

DRAWING NO. SMA 06V6 TGN-RP

DRAWN MARY DATE 87.01.22

CHECKED 蘇姿潔 DATE

Q.A. 馮健華 DATE

APPROVAL 徐燦霖 DATE

REVISION DATE

DIMENSIONS ARE IN MILLIMETERS

UNLESS OTHERWISE SPECIFIED TOLERANCES

0.5-5=±0.2 120-315=±1
 5-30=±0.4 315-1000=±1.6
 30-120=±0.6 1000-2000=±2.4

SCALE 5:1 **SIZE A**

REVISION	
DESCRIPTION	ENGINEER