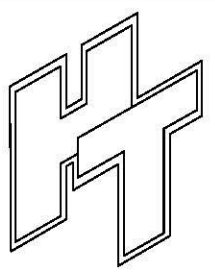
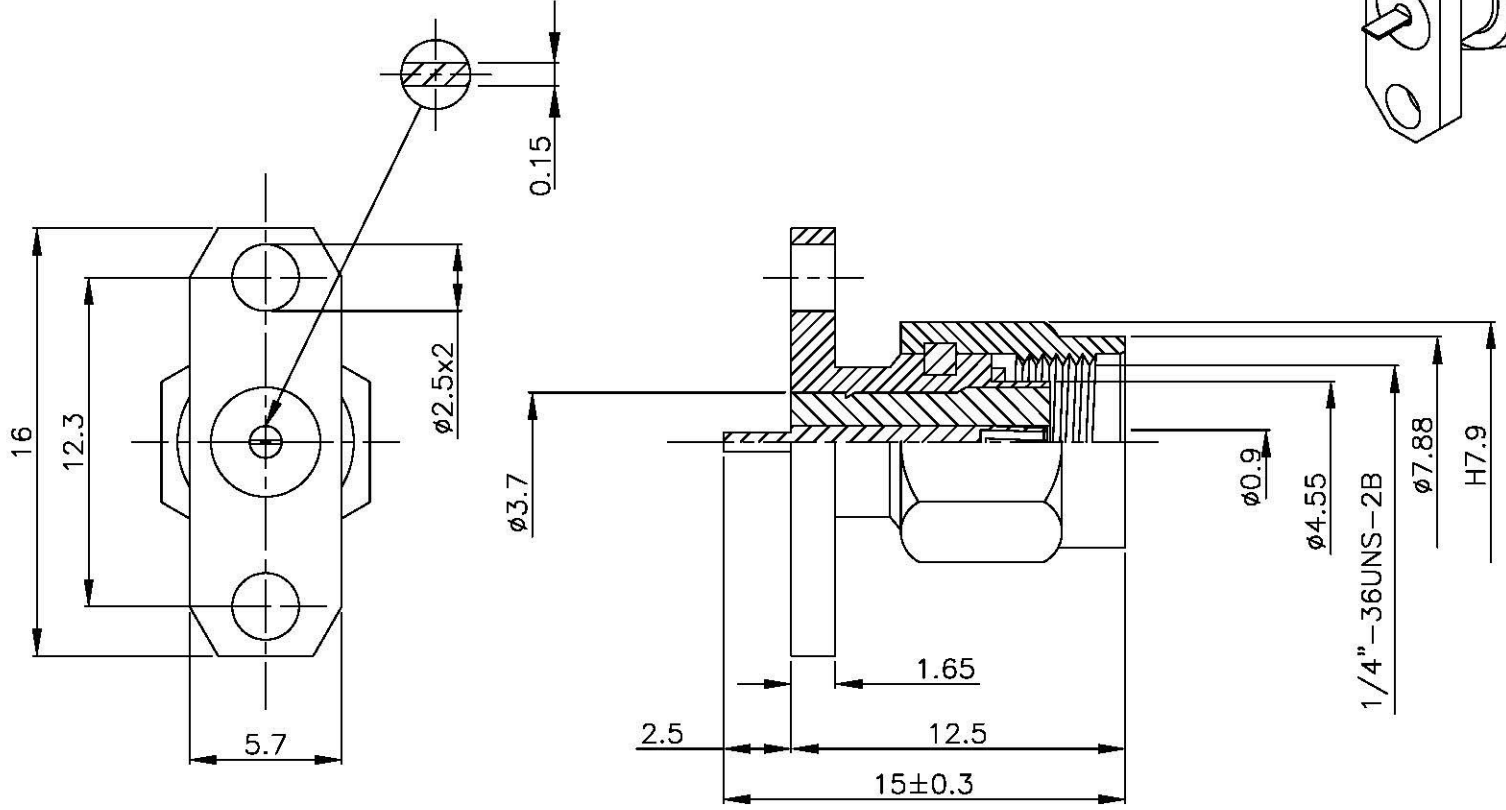
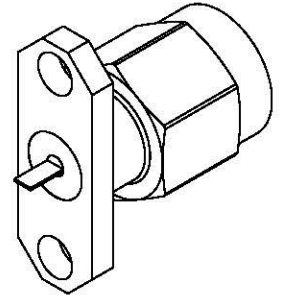


NO	DESCRIPTION	MATERIAL	Q'TY	FINISH	REMARK
1	BODY	BRASS	1	NICKEL	B-SMA0043-N
2	GASKET	SI RUBBER	1	RUBBER	RU-0008
3	INSULATION	TEFLON	1	TEFLON	I-0132T
4	WASHER	PH. BRONZE	1	GOLD	W-0012
5	BODY	BE CU	1	GOLD	B-SMA0094-N
6	PIN	BRASS	1	GOLD	



Allconnectors
 www.allconnectors.de
 info@allconnectors.de
 70794 Filzingen, Germany

TITLE SMA FEMALE PANEL RECEPTACLE
SOLDER FOR RG 405 REVERSE POLARITY

PART NO. SMA-06V5-TGN-RP

DRAWING NO. SMA 06V5 TGN RP

DRAWN MARY
CHECKED 蘇志欣
Q.A. 蘇姿潔
APPROVAL 徐燦霖
REVISION

DATE 96.06.27
DATE
DATE
DATE

DIMENSIONS ARE IN MILLIMETERS

UNLESS OTHERWISE SPECIFIED TOLERANCES

0.5-5 = ± 0.2 120-315 = ± 1
 5-30 = ± 0.4 315-1000 = ± 1.6
 30-120 = ± 0.6 1000-2000 = ± 2.4

SCALE 5:1 **SIZE** A

REVISION	
DESCRIPTION	ENGINEER