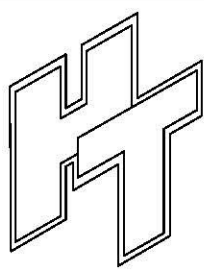
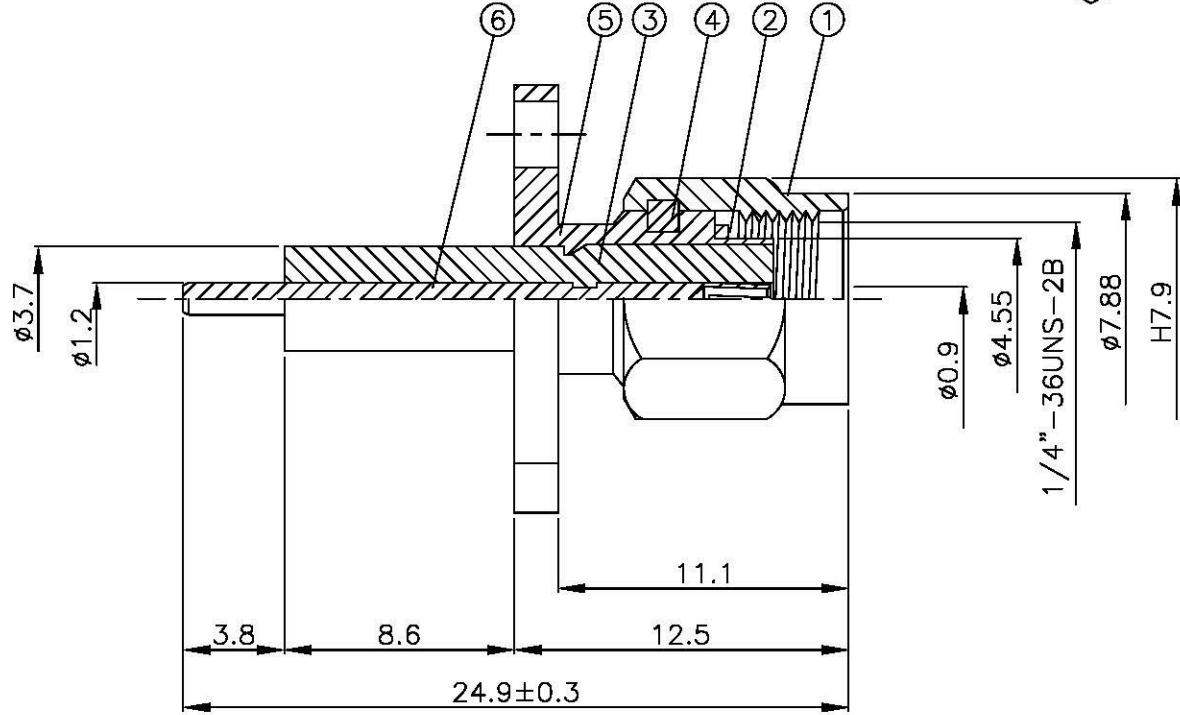
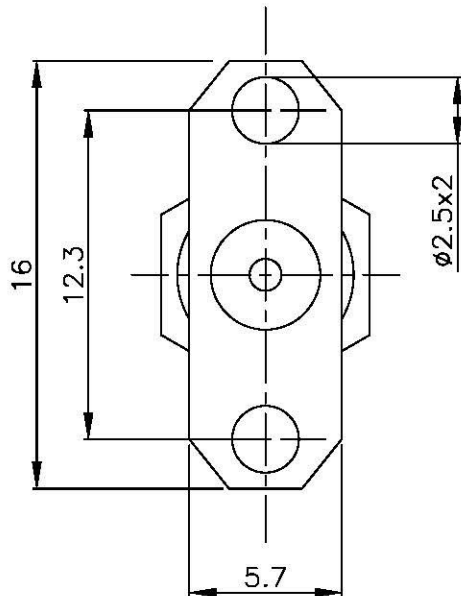
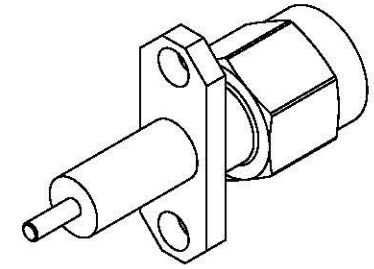


NO	DESCRIPTION	MATERIAL	Q'TY	FINISH	REMARK
1	BODY 1	BRASS	1	GOLD	B-SMA0043-G
2	GASKET	SI RUBBER	1	RUBBER	RU-0008
3	INSULATION	TEFLON	1	TEFLON	I-0133T
4	WASHER	PH. BRONZE	1	GOLD	W-0012
5	BODY 2	BRASS	1	GOLD	B-SMA0094-N
6	PIN	BRASS	1	GOLD	



All Connectors
 www.allconnectors.de info@allconnectors.de
 TEL: 0440 711 700010 FAX: 0440 711 700004
 70754 Eilderstadt Germany KOBLENZ 29

TITLE SMA FEMALE PANEL RECEPTACLE
 REVERSE POLARITY

PART NO. SMA-06V4-TGG-RP

DRAWING NO. SMA 06V4 TGG RP

DRAWN MARY DATE 96.06.27

CHECKED 蘇志欣 DATE

Q.A. 蘇姿潔 DATE

APPROVAL 徐燦霖 DATE

REVISION DATE

DIMENSIONS ARE IN MILLIMETERS

UNLESS OTHERWISE SPECIFIED TOLERANCES

0.5-5=±0.2 120-315=±1
 5-30=±0.4 315-1000=±1.6
 30-120=±0.6 1000-2000=±2.4

SCALE 5:1 SIZE A

REVISION	
DESCRIPTION	ENGINEER