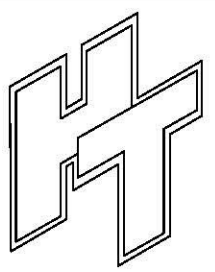
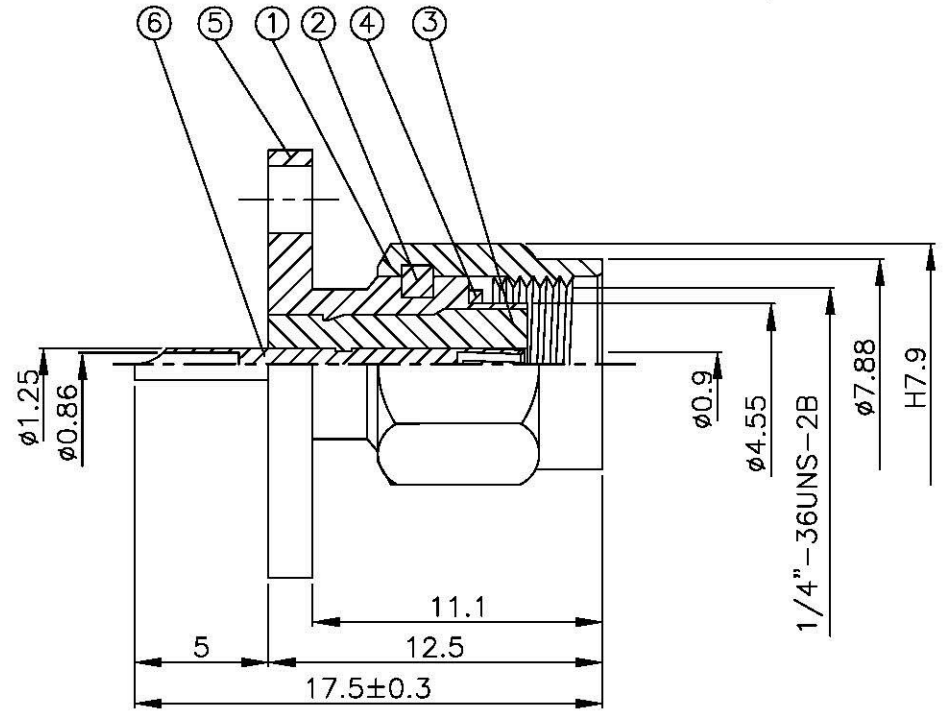
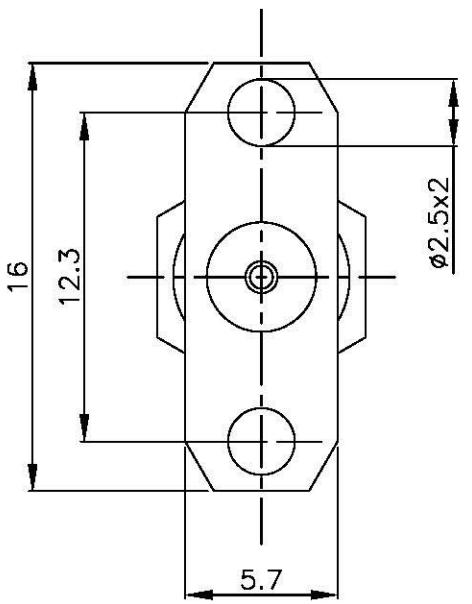
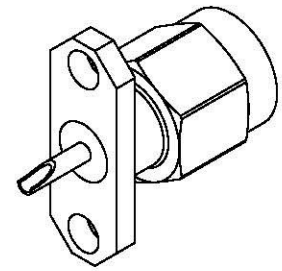


NO	DESCRIPTION	MATERIAL	Q'TY	FINISH	REMARK
1	SHELL	BRASS	1	GOLD	B-SMA0043-G
2	GASKET	SI RUBBER	1	RUBBER	RU-0008
3	INSULATION	TEFLON	1	TEFLON	I-0132T
4	WASHER	PH. BRONZE	1	GOLD	W-0012
5	BODY	BRASS		GOLD	B-SMA0094-G
6	PIN	BRASS		GOLD	



**Allconnectors**  
 www.allconnectors.de info@allconnectors.de  
 Tel.: 0049 711 7002500 Fax: 0049 711 7002504  
 70794 Filderstadt - Germany Kettnerstr. 25

TITLE SMA FEMALE PANEL RECEPTACLE  
 REVERSE POLARITY

PART NO. SMA-06-TGG-RP

DRAWING NO. SMA 06 TGG RP

DRAWN MARY DATE 96.06.27

CHECKED 蘇志欣 DATE

Q.A. 蘇姿潔 DATE

APPROVAL 徐燦霖 DATE

REVISION DATE

DIMENSIONS ARE IN MILLIMETERS

UNLESS OTHERWISE SPECIFIED TOLERANCES

0.5-5=±0.2 120-315=±1  
 5-30=±0.4 315-1000=±1.6  
 30-120=±0.6 1000-2000=±2.4

SCALE 5:1 SIZE A

REVISION	
DESCRIPTION	ENGINEER