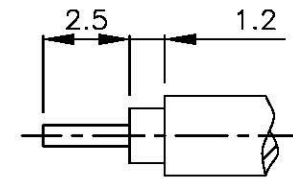
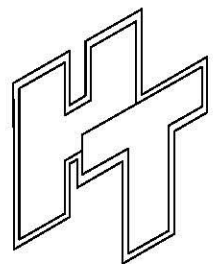
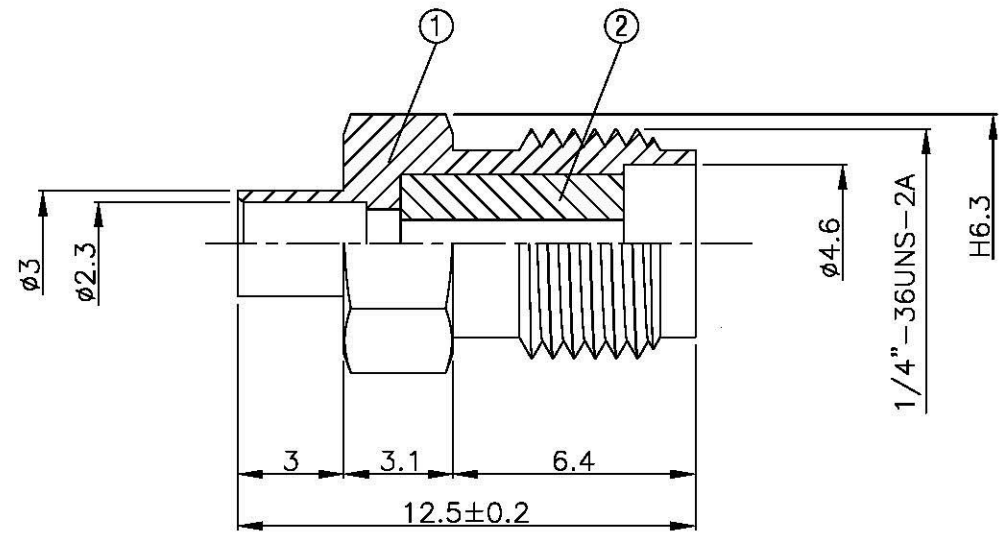
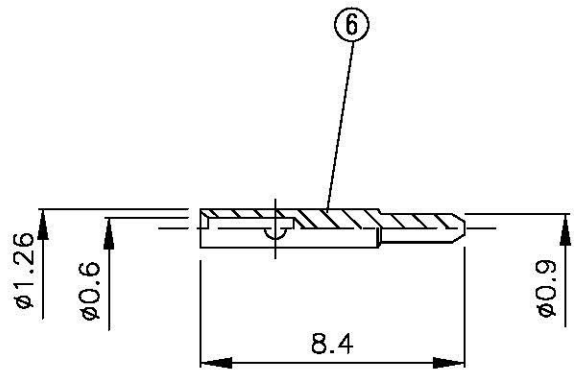
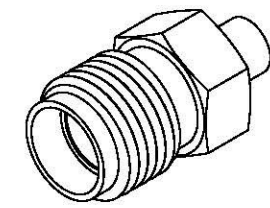


NO	DESCRIPTION	MATERIAL	Q'TY	FINISH	REMARK
1	BODY	BRASS	1	GOLD	B-SMA0063-G
2	INSULATION	TEFLON	1	TEFLON	I-0547T
3	PIN	BRASS	1	GOLD	P-SMA0040-G



(Recommended Stripping Dimension)



**Allconnectors**  
 www.allconnectors.de      info@allconnectors.de  
 Tel: 0049 (0)17000500      Fax: 0049 (0)17000504  
 70794 Ellersriedt, Germany      Kottenriedt, 23

TITLE SMA FEMALE SOLDER FOR RG 405 (.085) REVERSE POLARITY  
 PART NO. SMA-04V1-TGG-RP  
 DRAWING NO. SMA 04V1 TGG-RP

DRAWN MARY      DATE 90.10.23  
 CHECKED 蘇姿潔      DATE  
 Q.A. 馮健華      DATE  
 APPROVAL 徐燦霖      DATE  
 REVISION      DATE

DIMENSIONS ARE IN MILLIMETERS  
 UNLESS OTHERWISE SPECIFIED TOLERANCES  
 0.5-5=±0.2      120-315=±1  
 5-30=±0.4      315-1000=±1.6  
 30-120=±0.6      1000-2000=±2.4  
 SCALE 4:1      SIZE A

REVISION	
DESCRIPTION	ENGINEER